

Temperaturregler bei Spindelstellung Anschlag links gezeichnet/  
Thermostat drawn in minimum position

Genehmigte technische Daten/Approved technical datas  
55.34000.000, Bl.901

Bemerkungen/Notes:

Normalklima/Standard atmosphere DIN EN 60068-1 (23±2)°C  
Temperaturen sind AUS-Werte/Temperatures are OFF values  
Schaltdifferenz/Differential: (7±3.5)K

(im Werknormbad/in E.G.O. standard bath)

Min. Fühlertemperatur/Min. sensor temperature: -10°C

Max. Fühlertemperatur/Max. sensor temperature: 250°C

(aus Sicherheitsgründen/for security reasons)

Schnappfeder/snap action spring: NiBe

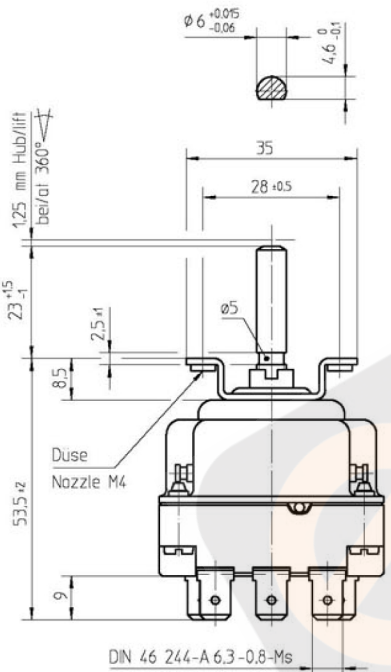
Max. Gehäusetemperatur/Max. housing temperature (VDE): 150°C

Max. Gehäusetemperatur/Max. housing temperature (UL): 120°C

Min. Biegeradius Kapillarrohr/  
Min. bending radius of capillary tube: 5 mm

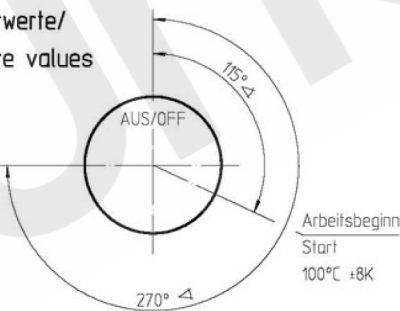
Für Einsatz in Umgebungsbedingungen mit  
normaler Verunreinigung/  
For application with normal pollution level (Typ 1 B C)

Kunden-Zeichnungs-Nr./Customer drawing-No.:

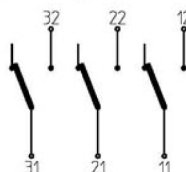


Temperaturwerte/  
Temperature values

Drehbereich  
Rotation range  
192°C ±6K



Schaltschema  
Wiring diagram



➡ Korrekturfaktor/correction factor: c = 0,13 [K/K]  
(bez. auf Umgebungtemp./based on ambient temperature)

|                                                                                                                                                                                                                                                                                                                  |                 |            |                                                                     |                                  |                   |          |              |      |         |
|------------------------------------------------------------------------------------------------------------------------------------------------------------------------------------------------------------------------------------------------------------------------------------------------------------------|-----------------|------------|---------------------------------------------------------------------|----------------------------------|-------------------|----------|--------------|------|---------|
| This document is exclusively committed to you for the agreed purpose. Any kind of duplication, utilization or communication of its content is prohibited, if not expressly conceded otherwise. Violators are committed to pay compensations. Any claims of existing or future property rights remain unaffected. |                 |            | Blank No. . . . . EN Mat.No. . . . .                                | Scale Unit<br>mm<br>Scale<br>1:1 |                   |          |              |      |         |
|                                                                                                                                                                                                                                                                                                                  |                 |            | Surface Texture ISO 1302                                            |                                  |                   |          |              |      |         |
|                                                                                                                                                                                                                                                                                                                  |                 |            | General Tolerances ISO 2768-v                                       |                                  |                   |          |              |      |         |
|                                                                                                                                                                                                                                                                                                                  |                 |            | Designation<br><b>EGO Temperaturregler</b><br><b>EGO Thermostat</b> |                                  |                   |          |              |      |         |
| 1                                                                                                                                                                                                                                                                                                                | CD0001          | 2010-12-15 | Create                                                              |                                  | 2009-05-28        | SCHUHMAM |              |      |         |
| Cha.                                                                                                                                                                                                                                                                                                             | Information No. | Date       | Proc.                                                               |                                  | 2009-05-28        | SCHUHMAM |              |      |         |
| F.Rel.                                                                                                                                                                                                                                                                                                           | E12621          | 2009-05-28 | Ret.                                                                | 2009-05-28                       | KESSELBG          |          |              |      |         |
|                                                                                                                                                                                                                                                                                                                  |                 |            | Drawing No.                                                         | Sh.No.                           | Ver.              | Staf.    | Sheets       | Doc. | Ex.Doc. |
|                                                                                                                                                                                                                                                                                                                  |                 |            | 55.34032.800                                                        | 901                              | 0                 | F        | 1            | .    | .       |
| Drign . . . . .                                                                                                                                                                                                                                                                                                  |                 |            | Repl.for . . . . .                                                  |                                  | Repl.by . . . . . |          | Reference RM |      |         |