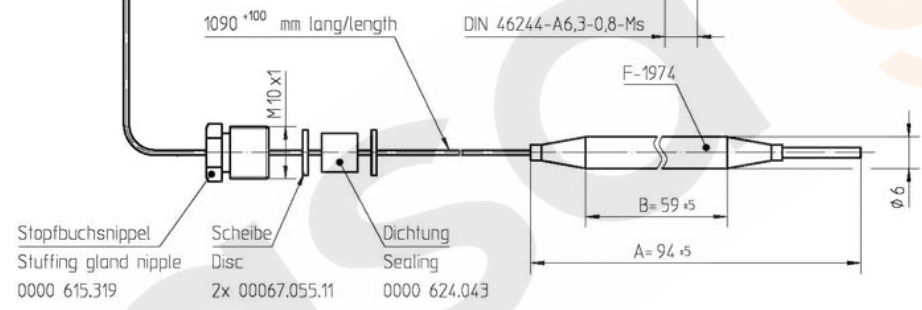
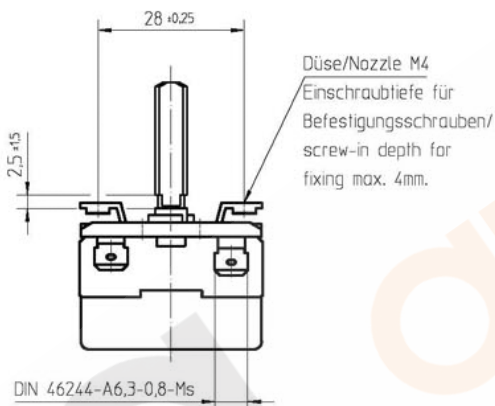


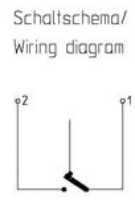
Teflon Isolierschlauch, grau
Teflon insulation sleeve, grey
960 ±60 mm lang/length



Stopfbuchsnippel
Stuffing gland nipple
0000 615.319

Scheibe
Disc
2x 00067.055.11

Dichtung
Sealing
0000 624.043



Temperaturregler bei Spindelstellung Anschlag links gezeichnet/
Thermostat drawn in minimum position

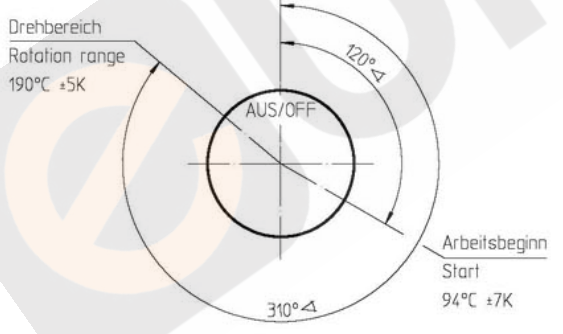
Genehmigte technische Daten/Approved technical data
55.13000.000, Bl.901

Bemerkungen/Notes:

Normalklima/Standard atmosphere DIN EN 60068-1 (23±2)°C
Temperaturen sind AUS-Werte/Temperatures are OFF values
Schaltdifferenz/Differential: (4±2)K
(im Werksnormbad/in E.G.O. standard bath)
Min. Fühlertemperatur/Min. sensor temperature: -10°C
Max. Fühlertemperatur/Max. sensor temperature: 230°C
(aus Sicherheitsgründen/for security reasons)
Schnappfeder/snap action spring: NiBe
Max. Gehäusetemperatur/Max. housing temperature (VDE): 150°C
Max. Gehäusetemperatur/Max. housing temperature (UL): 120°C
Min. Biegeradius Kapillarrohr/
Min. bending radius of capillary tube: 5 mm
Für Einsatz in Umgebungsbedingungen mit
normaler Verunreinigung/
For application with normal pollution level (Typ 1 B)
Kunden-Zeichnungs-Nr./Customer drawing-No.:

➡ Korrekturfaktor/correction factor: c = 0.25 [K/K]
(bez. auf Umgebungstemp./based on ambient temperature)

Temperaturwerte/
Temperature values



This document is exclusively committed to you for the agreed purpose. Any kind of duplication, utilization or communication of its content is prohibited, if not expressly conceded otherwise. Violators are committed to pay compensations. Any claims of existing or future property rights remain unaffected.				Blank No. .	EN Mat.No. .	Scale Unit mm				
				Material .		Scale 1:1				
				Surface Texture ISO 1302						
				General Tolerances ISO 2768-v						
	CAD	Date	Name	Designation						
1	CD0001	2010-12-15	Create 2009-11-19 SCHUHMAN	EGO Temperaturregler						
Cha.	Information No.	Date	Proc.	EGO Thermostat						
F.Rel.	E13330	2009-11-19	Rel. 2009-11-19 KESSELBG							
				Drawing No.	Sh.No.	Ver.	Stat.	Sheets	Doc.	Ex.Doc.
				55.13039.300	901	0	F	1	.	.
Origin 97.55137.656				Repl.for .	Repl.by .	Reference .				