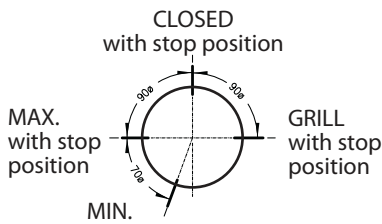


_ Gas Cooking > Safety Gas Taps for Ovens

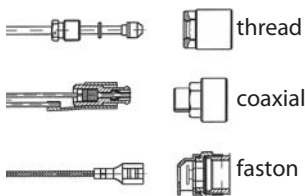
ACAL 10200 series



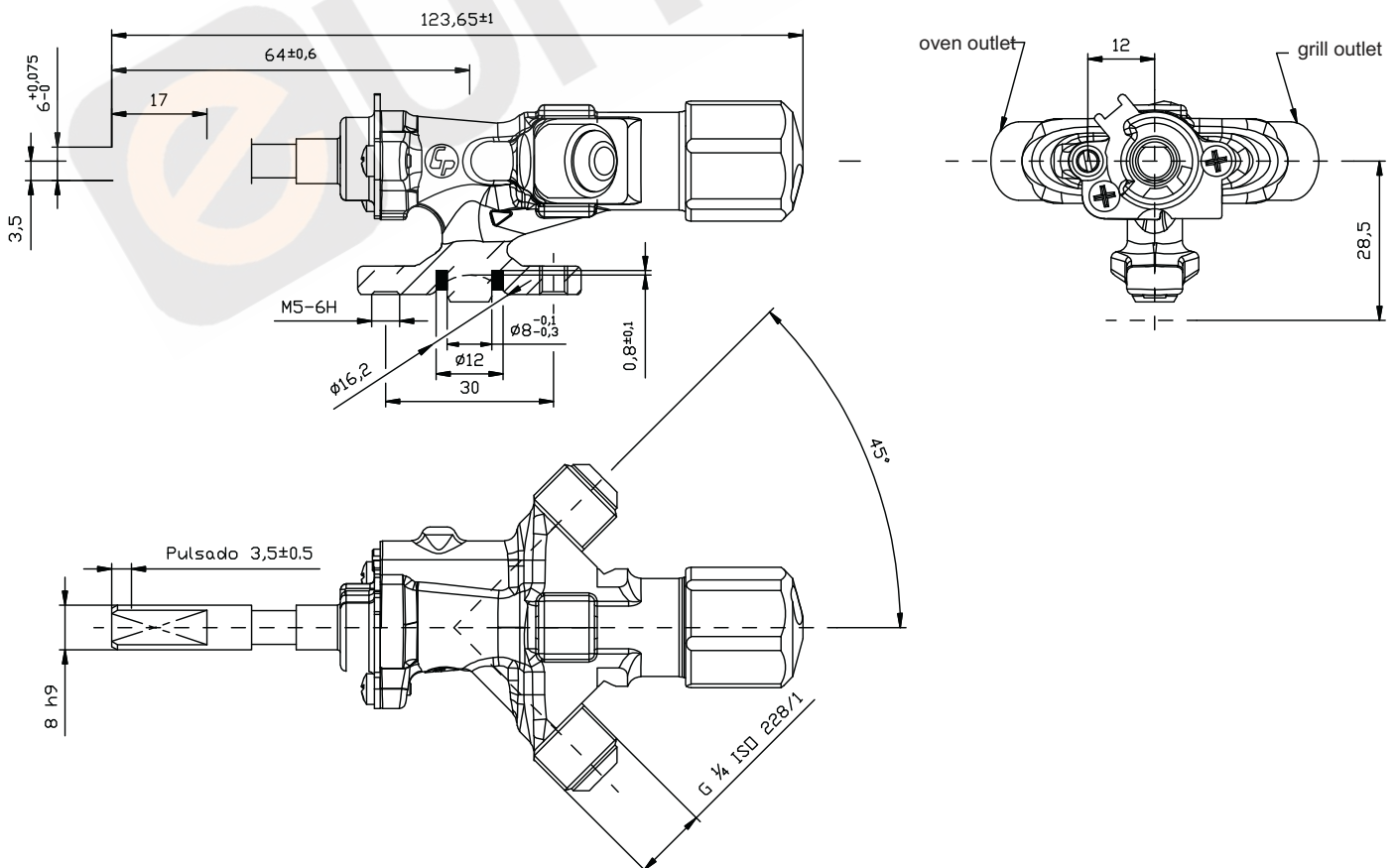
_ Rotation diagrams



_ Thermocouple connections



_ Main outside dimensions



* Other versions available upon request.

_ Construction characteristics

Mechanical body: drop-forged brass.
Male cone: bar-cut brass and aluminium.
Cover: drop-forged steel.
Spindle: aluminium (brass optional).

_ Other characteristics

Max. ambient temperature: up to 150 °C
Max. gas pressure: 65 mbar
Stroke: 3,5 mm
Flow: 300 l/h (1 mbar pressure drop).

_ Functional characteristics

Max. tightness at test pressure 150 mbar: < 8 cm³/h
Max. turning torque of the spindle: 0.2 N m
Max. pushing strength: 20 N

_ Connection characteristics

Inlet types: round 16 mm diameter ramp. On request and after a study, other types and dimensions.

Outlet types: according to customer specifications.

Spindle dimensions: according to customer specifications.

Distance between clamp holes: 30 mm. Other types and dimensions on request.

_ Installation characteristics

Max. torque for screwing: 3 N m (2 screws) and 2 N m (1 screw).

Max. torque of fitting outlet: 8 N m (biconical), 15 N m (flaring).

Max. tightening torque for fitting thermocouple to record: 4 N m