

Adjustable pressure switch

P20

For air-conditioning and heat pump applications

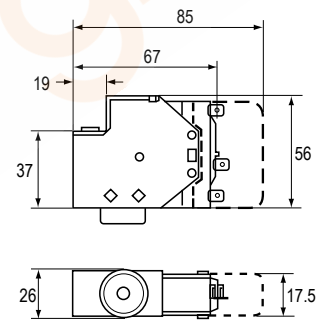
The P20 series high and low limit (cut-out) controls for all non-corrosive refrigerants are compact pressure controls ideally suited for commercial or residential packaged air conditioning units, heat pumps, small water chillers, ice cube machines and other applications where a semi fixed setting is acceptable or required and where mounting space is limited.

The P20 series includes auto reset as well as manual reset models and is factory set.

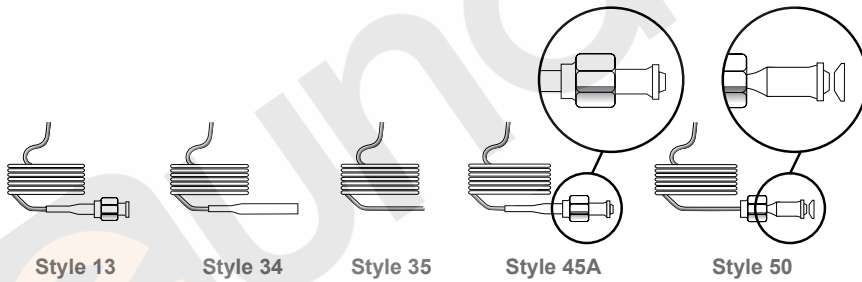
A special setting tool is available while also field (screwdriver) adjustable models can be chosen.

Features

- ▶ Field proven reliability
- ▶ Reset tab must be released before restart (Trip free manual reset)
- ▶ Compact design
- ▶ Enclosed dust-tight switch
- ▶ SPDT contact with special terminals
- ▶ Test pressure 53 bar
- ▶ Designed for at least 300000 cycles



Dimensions in mm



Style 13

Style 34

Style 35

Style 45A

Style 50

Adjustable pressure switch

P20

Ordering information

Codes	Range (bar)	Differential fixed	Set at (bar)	Style	Capillary Length	Switch Action
P20EA-9611D	0.5 to 10	0.9	2	13	120 cm	SPDT, 8 A, open low, auto reset
P20EA-9620D		1.5			90 cm	
P20EA-9621D					120 cm	
P20EA-9160L	7 to 29	3.1	17	45A	90 cm	SPDT, 8 A, open high, auto reset
P20EA-9561K		1.2	16	50		

High Pressure Control

Codes	Range (bar)	Differential fixed	Set at (bar)	Style	Capillary length	Switch action	
P20EA-9670X	7 to 29	5.2	28	13	90 cm	SPDT, 8 A, open high, auto reset	
P20EA-9681T		7.1	24	13	120 cm		
P20EA-9950C		1.1	10	34	90 cm		
P20EA-9950K		1.2	16				
P20GA-9650X		---	---	28	13	90 cm	SPDT, 8 A, open high, manual reset
P20GA-9650T				24			

Low and high pressure control universal replacements

Codes	Range (bar)	Differential fixed	Set at (bar)	Style	Capillary length	Switch action	Additional features
P20EA-9530FC	0.5 to 10	2.1	3	50	90 cm	SPDT, 8 A, auto reset	Open low
P20EA-9630FC			3	13			
P20EA-9570XC	7 to 29	5.2	28	50			
P20EA-9670XC			28	13			
P20EL-9670TC	14 to 42	6.5	37	50			
P20FA-9510FC	0.5 to 10		3			13	
P20FA-9610FC				7 to 29	28	50	
P20GA-9550XC	7 to 29		28			13	SPDT, 8 A, manual reset
P20GA-9650XC							
P20GL-9650TC	14 to 42		37				