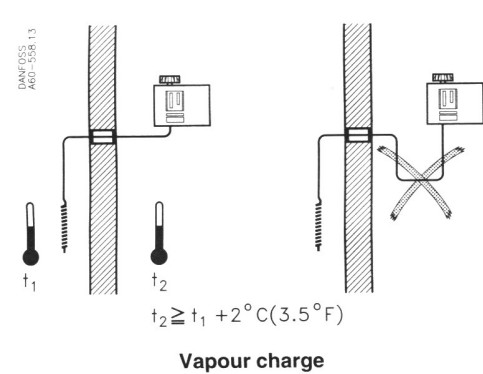
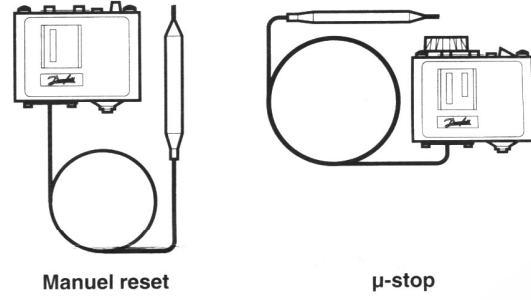
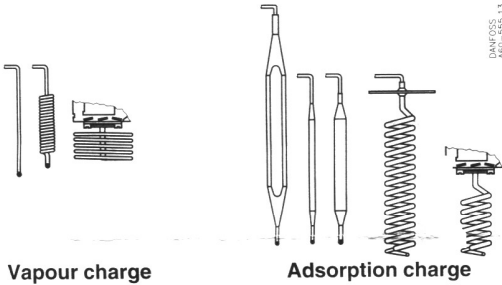


060R9758

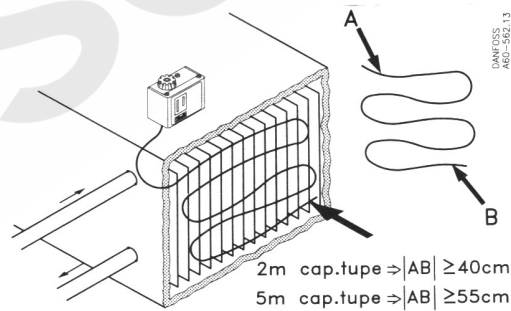
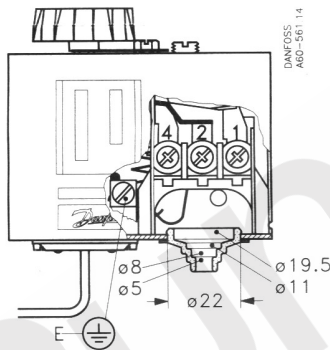
060R9758

KP 61, 62, 63, 68, 69 vapour charge  
 KP 62, 71, 73, 75, 77, 79, 81 adsorption charge (cross ambient)



Model	Max. Temperature
KP 62, 71, 73	80°C (175°F)
KP 75	110°C (230°F)
KP 77	140°C (285°F)
KP 79	150°C (300°F)
KP 81	200°C (390°F)

min. -40°C (-40°F)  
 max. 65°C (150°F)



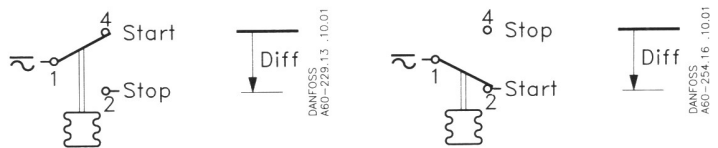
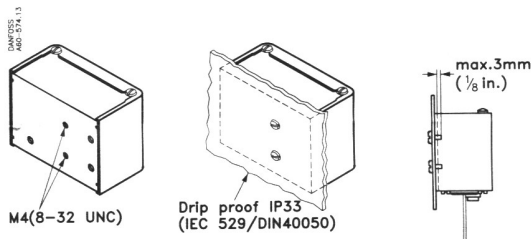
### Electrical rating - General

LR 112A	AC 1: 16A AC 3: 16A AC 11: 10 A	400 V $\approx$	DC 11 12 W 220 V $\approx$
---------	---------------------------------------	-----------------	----------------------------------

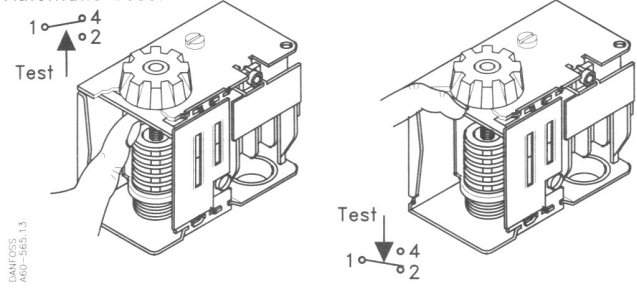
When used acc. to UL regulations

UL Listed refrigeration controller 61B5				
Voltage	FL	LR	Resist. load	Pilot duty
240		8	48	8A
120		16	96	16A
240				12W

Use copper wire only  
 Tightening torque 20lb.in.

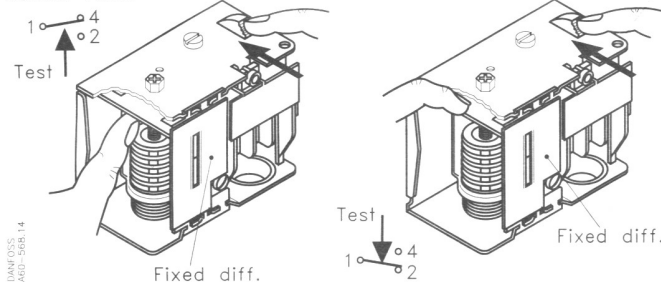


Automatic reset



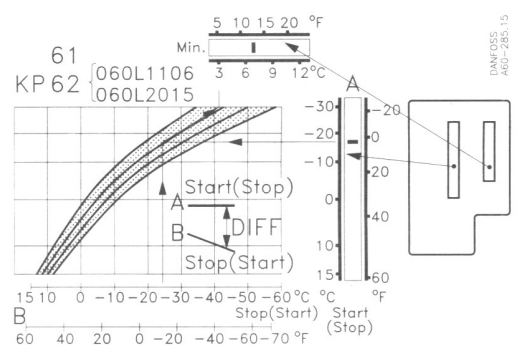
DANFOSS  
A60-565.13

Manual reset

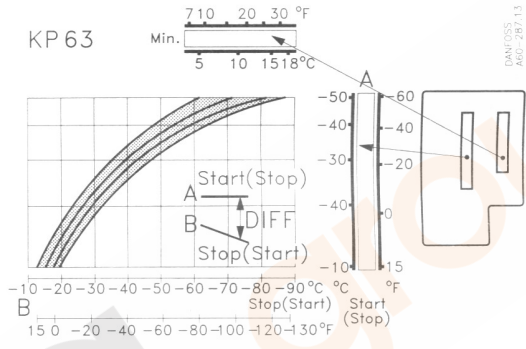


DANFOSS  
A60-568.14

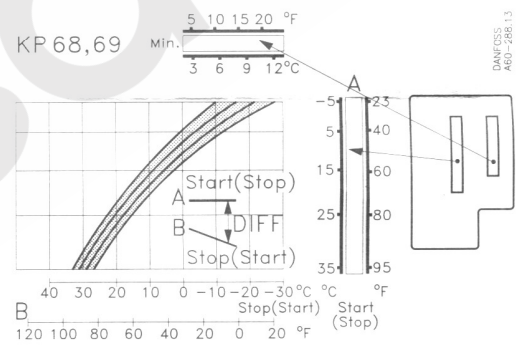
KP 61	060L1104, 060L1105	diff. = 3°C (5.4°F)
KP 71	060L1115	diff. = 3°C (5.4°F)
KP 73	060L1138	diff. = 3.5°C (6.3°F)



DANFOSS  
A60-285.15

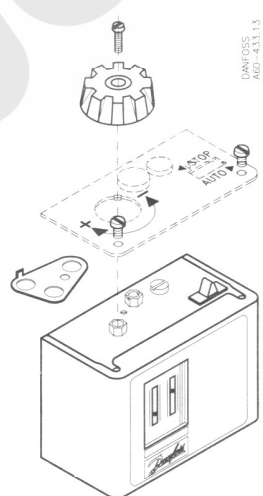
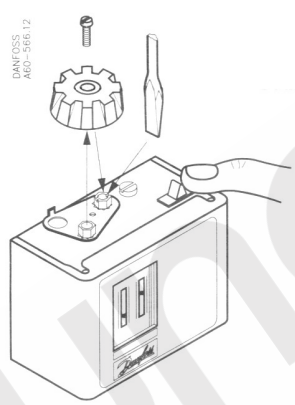


DANFOSS  
A60-287.13

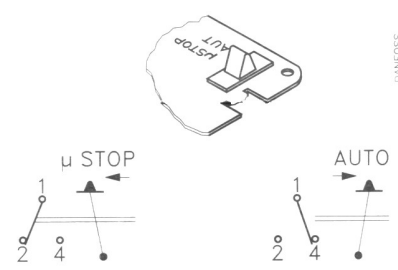


DANFOSS  
A60-286.13

Vapour charge



DANFOSS  
A60-433.15



DANFOSS  
A60-567.11

KP 61	060L1103, 1128	Vapour charge
KP 62	060L1110	Adsorption charge
KP 73	060L1118	Adsorption charge