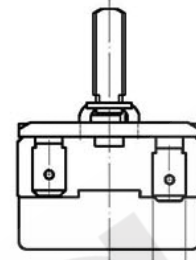


Teflon insulation sleeve, grey
280 ± 0.50 mm length



DIN 46244 A6,3-0,8 Ms

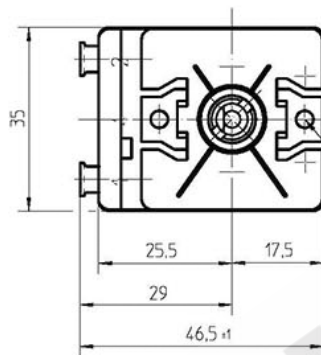
520 ± 0.50 mm length

F-2008

B = 130 ± 5

A = 156 ± 5

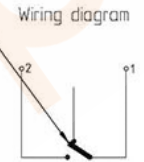
ø 3.03 ± 0.02



Nozzle M4
Screw-in depth for fixing max. 4mm.

Thermostat drawn in minimum position

Position of contacts at limitation left and a sensor temperature of >5°C

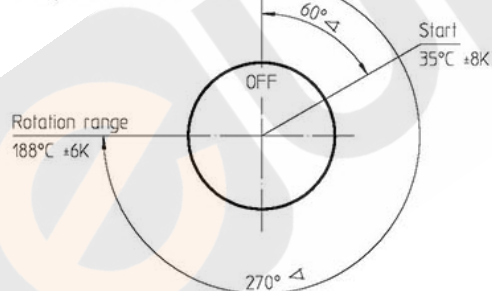


Approved technical data 55.13000.000, BI.901

Notes:

Standard atmosphere DIN EN 60068-1 (23±2)°C
Temperatures are OFF values
Differential: (4,5±2,5)K
(in E.G.O. standard bath)
Min. sensor temperature: -50°C
Max. sensor temperature: 270°C
(for security reasons)
Snap action spring: NiBe
Max. housing temperature (VDE): 150°C
Max. housing temperature (UL): 120°C
Min. bending radius of capillary tube: 5 mm
For application with normal pollution level acc. to EN60730-1:
Degree of pollution 2
Action acc. to EN 60730-1: Type 1 B
Customer drawing-No:

Temperature values



Correction factor: $c = 0,38 [K/K]$
(based on ambient temperature)

This document is exclusively committed to you for the agreed purpose. Any kind of duplication, utilization or communication of its content is prohibited, if not expressly conceded otherwise. Violators are committed to pay compensations. Any claims of existing or future property rights remain unaffected.		Blank No.	EN Mat.No.	Scale Unit mm				
		Material		Scale 1:1				
		Surface Texture ISO 1302						
		General Tolerances ISO 2768-v						
		CAD Date Name	Designation					
		Create 2013-02-12 POSOVSKY	EGO Thermostat					
Cha.	Information No.	Date	Proc.	2013-02-12 POSOVSKY				
F.Rel.	E16991	2013-02-12	Rel.	2013-02-12 SCHLAGET				
		Drawing No.	Sh.No.	Ver.	Stat.	Sheets	Doc.	Ex.Doc.
		55.13039.380	101	0	F	1	.	.
Origin 97.55137.796/901/0		Repl.for	Repl.by	Ref.				