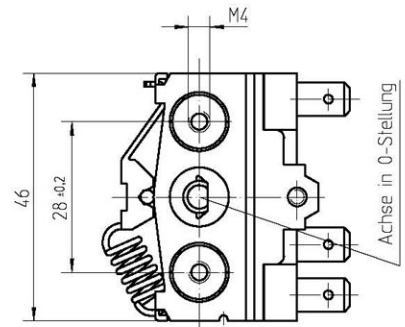
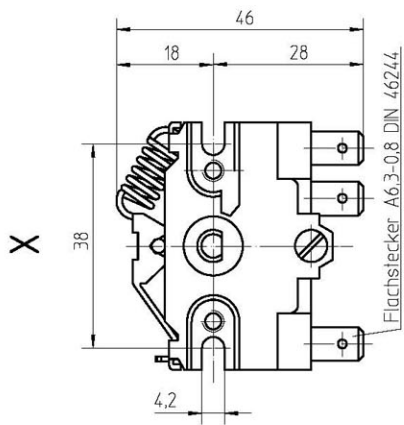
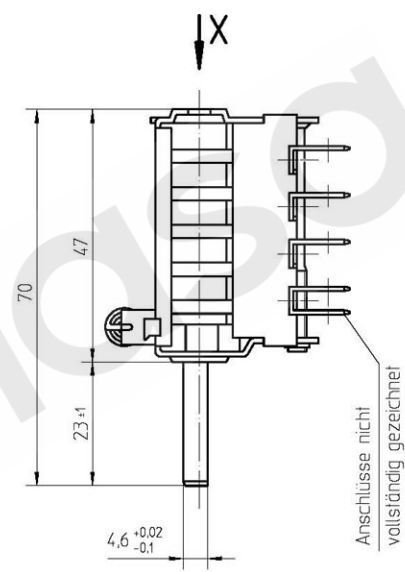
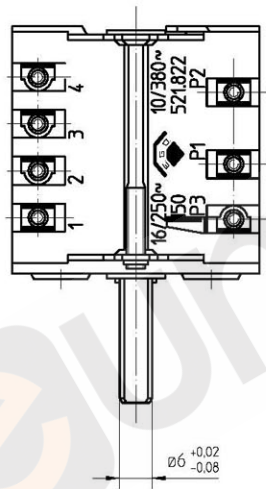


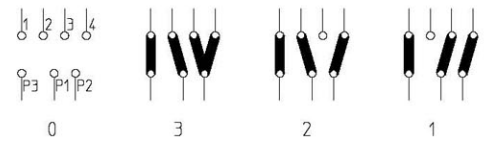
KZch	Sick	1	2	3	4
EAC					
EAE					
EG					
ENO					
EPB					
EPC					
EPD					
ER					
ERB	1				
ERE					
ERI					
ERK					
ERP					
ERS	1				
EWS					
FPS					
FPV					
FQS					
FWA					
FWB					
FWQ					
FWS					
FWT					



KE					
KEL					
KKR	1				
QTW	1				
RKA					
SAF					
SAP					
SFD					
SFR1					
SFR2					
SFR3					
SFR4					
SFR5					
SP					
SQ					



Schaltschema bei Rechtsdrehung



SWA1					
SWA2					
SWB					
SWE1					
SWE2					
SWW					
VEA					
VEZ1	1				
VEZ4					
VEZ5					
VEZ7					
VEZ8					
VEZ10					
VEZ11	1				
VEZ13	2	CD0001	2010-12-15	CAD	Date Name
VEZ15	1	RE0165	1997-09-23	Create	1997-09-23 SOMMER
VIH		Cha.	Information No.	Date	Proc.
VIP		F.Rel.			Rel.
VIT					
WMK					
WMW					

This document is exclusively committed to you for the agreed purpose. Any kind of duplication, utilization or communication of its content is prohibited, if not expressly conceded otherwise. Violators are committed to pay compensations. Any claims of existing or future property rights remain unaffected.

Blank No.	EN Mat.No.	Scale Unit
Material		Scale
Surface Texture ISO 1302		
General Tolerances ISO 2768-c		
Designation	EGO Gerateschalter	
Drawing No.	Sh.No.	Ver.
49.24215.520	001	0 F
	Stat.	Sheets
	Doc.	Ex.Doc.
Origin	Repl.for Zchg. v. 29.4.74	Repl.by
	Reference	

