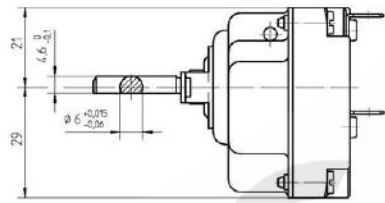


Teflon Isierschlauch, grau
Teflon insulation sleeve, grey
1100 ±10 mm long/length

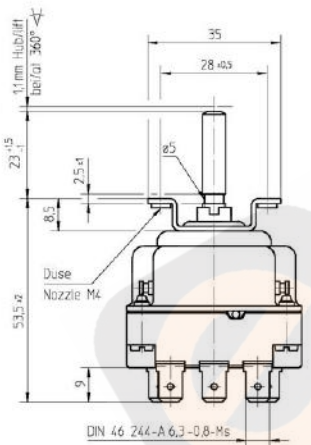


Temperaturregler bei Spindelstellung Anschlag links gezeichnet/
Thermostat drawn in minimum position

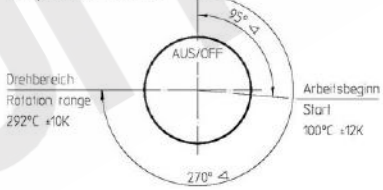
Genehmigte technische Daten/Approved technical data
55.34000.000, Bl.901

Bemerkungen/Notes:

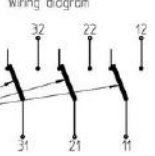
- Normalklima/Standard atmosphere DIN EN 60068-1 (23±2)°C
- Temperaturen sind AUS-Werte/Temperatures are OFF values
- Schalldifferenz/Differential: (12±6)K im Werknennabstand E.G.G. standard built
- Min. Fühler Temperatur/Min. sensor temperature: -10°C (IC)
- Max. Fühler Temperatur/Max. sensor temperature: 370°C (aus Sicherheitsgründen/for security reason)
- Schnappfeder/snap action spring: NiBe
- Max. Gehäuse Temperatur/Max. housing temperature (VDE): 150°C
- Max. Gehäuse Temperatur/Max. housing temperature (UL): 120°C
- Min. Biegeradius Kapillarrohr/Min. bending radius of capillary tube: 5 mm
- Für Einsatz in Umgebungsbedingungen mit normaler Verunreinigung/For application with normal pollution level (Typ 1 B D)
- Kunden-Zeichnungs-Nr./Customer drawing-No.:



Temperaturwerte/
Temperature values



Schalttechnik/
Wiring diagram



Kontaktstellung bei Anschlag links
und einer Fühler Temperatur von/
position of contacts at limitation left
and a sensor temperature of > 15°C

➡ Korrekturfaktor/correction factor: $c = 0,44 [K/K]$
(bas. auf Umgebungstemp./based on ambient temperature)

This document is exclusively created for you for the agreed purpose. Any kind of duplication, utilization or communication of its content is prohibited, if not expressly consented otherwise. Visitors are committed to pay compensation. Any claim of liability or false property rights remain unaffected.		Blank No.	EN Mat No.	Scale Unit	
Material		Scale		11	
Surface Texture ISO 1302		General Tolerances ISO 2768-v			
2	CD0001	2010-12-15	CAD	Date	Name
1	E13174	2009-10-15	Create	2007-06-20	PLITTK
Cha.	Information No.	Date	Proc.	2009-10-15	SCHUHMAN
F.Rit.	E-0887B	2007-06-20	Ref.	2009-10-15	KESSLER
Description EGO Temperaturregler EGO Thermostat		Drawing No. 55.34059.801		Sh.No. 901	Ver. 1F
Origin		Replcy		Reference RM	