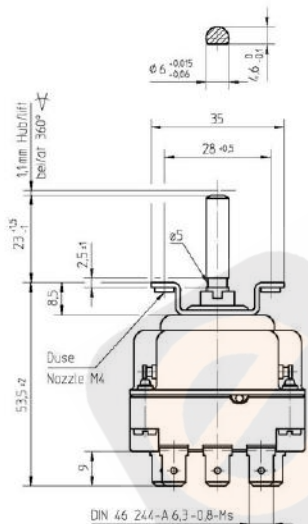


Temperaturregler bei Spindelstellung Anschlag links gezeichnet/
Thermostat drawn in minimum position

Genehmigte technische Daten/Approved technical data
55.34000.000, Bl.901

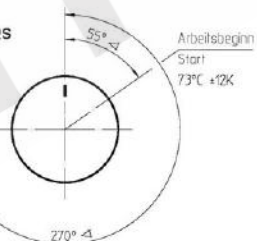
Bemerkungen/Notes:

Normalklima/Standard atmosphere DIN EN 60068-1 (23±2)°C
Temperaturen sind AUS-Werte/Temperatures are OFF values
Schalt-Differenz/Differential: 12±6K
(in Werknormen/In E.G.O. standard last)
Min. Fühler-Temperatur/Min. sensor temperature: -10°C (DO)
Max. Fühler-Temperatur/Max. sensor temperature: 370°C
Aus Sicherheitsgründen/for security reasons
Schnappfeder/snap action spring: N6E
Max. Gehäuse-Temperatur/Max. housing temperature (VDE): 150°C
Max. Gehäuse-Temperatur/Max. housing temperature (UL): 120°C
Min. Biegeradius Kapillarrohr/
Min. bending radius of capillary tube: 5 mm
Für Einsatz in Umgebungsbedingungen mit
normaler Verunreinigung/
For application with normal pollution level (Typ. 1 B C)
Kunden-Zeichnungs-Nr./Customer drawing-No.:

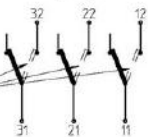


Temperaturwerte/
Temperature values

Drehbereich
Rotation range
309°C ±10K



Schalt-Schema
Wiring diagram



Kann bei Anschlag links
auch geschlossen sein/
Can also be closed in
off-position

➔ Korrekturfaktor/correction factor: c = 0,35 [K/K]
(bei Umgebungs-/base on ambient temperature)

This document is exclusively created for you for the speed process. Any kind of duplication, utilization or communication of its content is prohibited. If not expressly consented otherwise Visitors are limited to pay consultation. Any claim of liability or false property rights remain unaffected.		Blank No.	EN Mat.No.	Scale Unit				
		Material		Scale				
		Surface Texture ISO 1302						
		General Tolerances ISO 2768-v						
2	CD0001	2010-12-15	CAD	Date	Name			
1	E13383	2009-12-10	Create	2007-11-13	PLITTK			
Cha.	Information No.	Date	Proc.	2009-12-10	SCHUHMAN			
F.Rit.	E-09641	2007-11-18	Rel.	2009-12-10	KESSEL BG			
		Drawing No.	Sh.No.	Ver.	Stat.	Sheets	Doc.	ExDoc
		55.34059.802	901	1	F	1	.	.
Origin	Repl./for 55.34059.802 Bl.-1		Replby	Reference				