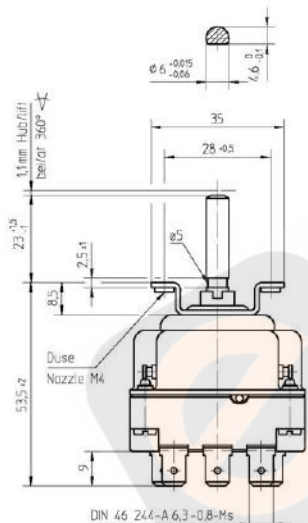


Temperaturregler bei Spindelstellung Anschlag links gezeichnet/
Thermostat drawn in minimum position

Genehmigte technische Daten/Approved technical data
55.34000.000, Bl.901

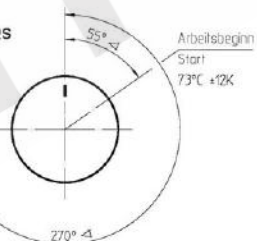
Bemerkungen/Notes:

Normalklima/Standard atmosphere DIN EN 60068-1 (23±2)°C
Temperaturen sind AUS-Werte/Temperatures are OFF values
Schalt-Differenz/Differential: $\pm 2 \pm 6$ K
(in Werknormen/In E.G.O. standard last)
Min. Fühler-Temperatur/Min. sensor temperature: -10°C (DO)
Max. Fühler-Temperatur/Max. sensor temperature: 370°C
Aus Sicherheitsgründen/for security reasons
Schnappfeder/snap action spring: N6E
Max. Gehäuse-Temperatur/Max. housing temperature (VDE): 150°C
Max. Gehäuse-Temperatur/Max. housing temperature (UL): 120°C
Min. Biegeradius Kapillarrohr/
Min. bending radius of capillary tube: 5 mm
Für Einsatz in Umgebungsbedingungen mit
normaler Verunreinigung/
For application with normal pollution level (Typ. 1 B C)
Kunden-Zeichnungs-Nr./Customer drawing-No.:

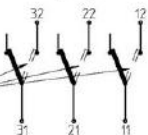


Temperaturwerte/
Temperature values

Drehbereich
Rotation range
309°C ± 10 K



Schalt-Schema
Wiring diagram



Kann bei Anschlag links
auch geschlossen sein/
Can also be closed in
off-position

Korrekturfaktor/correction factor: $c = 0,35$ [K/K]
bei Umgebungs-/base on ambient temperature

This document is exclusively created for you for the speed process. Any kind of duplication, utilization or communication of its content is prohibited. If not expressly consented otherwise Visitors are limited to pay consultation. Any claim of liability or false property rights remain unaffected.		Blank No.	EN Mat.No.	Scale Unit mm
2 CD0001 2010-12-15 CAD Date Name		Material		Scale 1:1
1 E13383 2009-12-10 Create: 2007-11-13 PLITTK		Surface Texture ISO 1302		
Chg. Information No. Date Proc. 2009-12-10 SCHUHMAN		General Tolerances ISO 2768-v		
FRit E-09641 2007-11-18 Rel. 2009-12-10 KESSEL BG		Description EGO Temperaturregler EGO Thermostat		
Origin		Drawing No. 55.34059.802		
Repl./ 55.34059.802 Bl.-1		Sh.No. Ver. Stat. Sheets Doc. ExDoc 901 1 F 1 . .		Reference
Replby		Reference		