

Temperaturregler bei Spindelstellung Anschlag links gezeichnet/  
Thermostat drawn in minimum position

Fühler und Kapillarröhre 150 bis 200 mm eingetaucht/  
Sensor and capillary tube from 150 to 200 mm immersed.

Genehmigte technische Daten/Approved technical data  
55.34000.000, Bl.9/01

Bemerkungen/Notes:

Normalklima/Standard atmosphere DIN EN 60668-1 (23/2)°C  
Temperaturen sind AUS-Werte/Temperatures are OFF values  
Schalt-differenz/Differential:  $\pm 2/6$ K

(in Werknormen/in E.G.O. standard text)

Min. Fühler-temperatur/Min. sensor temperature:  $-10^{\circ}\text{C}$

Max. Fühler-temperatur/Max. sensor temperature:  $330^{\circ}\text{C}$

(aus Sicherheitsgründen/for security reasons)

Schnappfeder/snap action spring: N6E

Max. Gehäuse-temperatur/Max. housing temperature (VDE):  $150^{\circ}\text{C}$

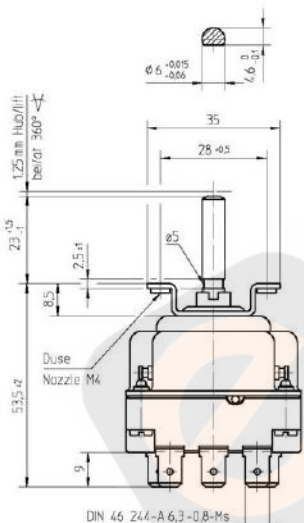
Max. Gehäuse-temperatur/Max. housing temperature (UL):  $120^{\circ}\text{C}$

Min. Biegeradius Kapillarröhre/  
Min. bending radius of capillary tube: 5 mm

Für Einsatz in Umgebungsbedingungen mit  
normaler Verunreinigung/  
For application with normal pollution level (Typ 1 B C)

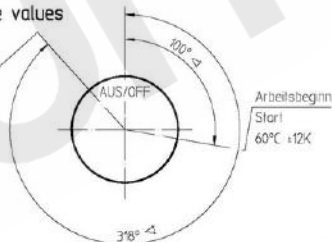
Kunden-Zeichnungs-Nr./Customer drawing-No.:

➔ Korrekturfaktor/correction factor:  $c = 0,39$  [K/K]  
(bei Umgebungs-temperatur/based on ambient temperature)

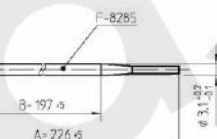
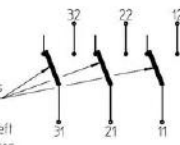


### Temperaturwerte/ Temperature values

Drehbereich  
Rotation range  
 $320^{\circ}\text{C} \pm 10\text{K}$



Kontaktstellung bei Anschlag links  
und einer Fühler-temperatur von/  
position of contacts at limitation left  
and a sensor temperature of  $> 15^{\circ}\text{C}$



This document is exclusively created for you for the agreed purpose. Any kind of duplication, utilization or communication of its content is prohibited, if not expressly consented otherwise. Violators are committed to pay compensation. Any claims of liability or false property rights remain unaffected.		Blank No. . . . .	EN Mat.No. . . . .	Scale Unit
CAD Date Name		Material		Scale
1 CD0001 2010-12-15 (Create: 2009-10-09) SCHUHMAN		Surface Texture ISO 1302		
Chg. Information No. Date Proc. 2009-10-09 SCHUHMAN		General Tolerances ISO 2768-v		
FRit.E.13161 2009-10-12 Ref. 2009-10-12 KESSEL.BG.		Designation		
E-G-O		EGO Temperaturregler EGO Thermostat		
Origin		Drawing No. 55.34062.807		Sh.No. 901
Reactor		Ver. 0 F		
Reply		Reference RM		Stag. 1
Sheet 1		Doc. . . . .		