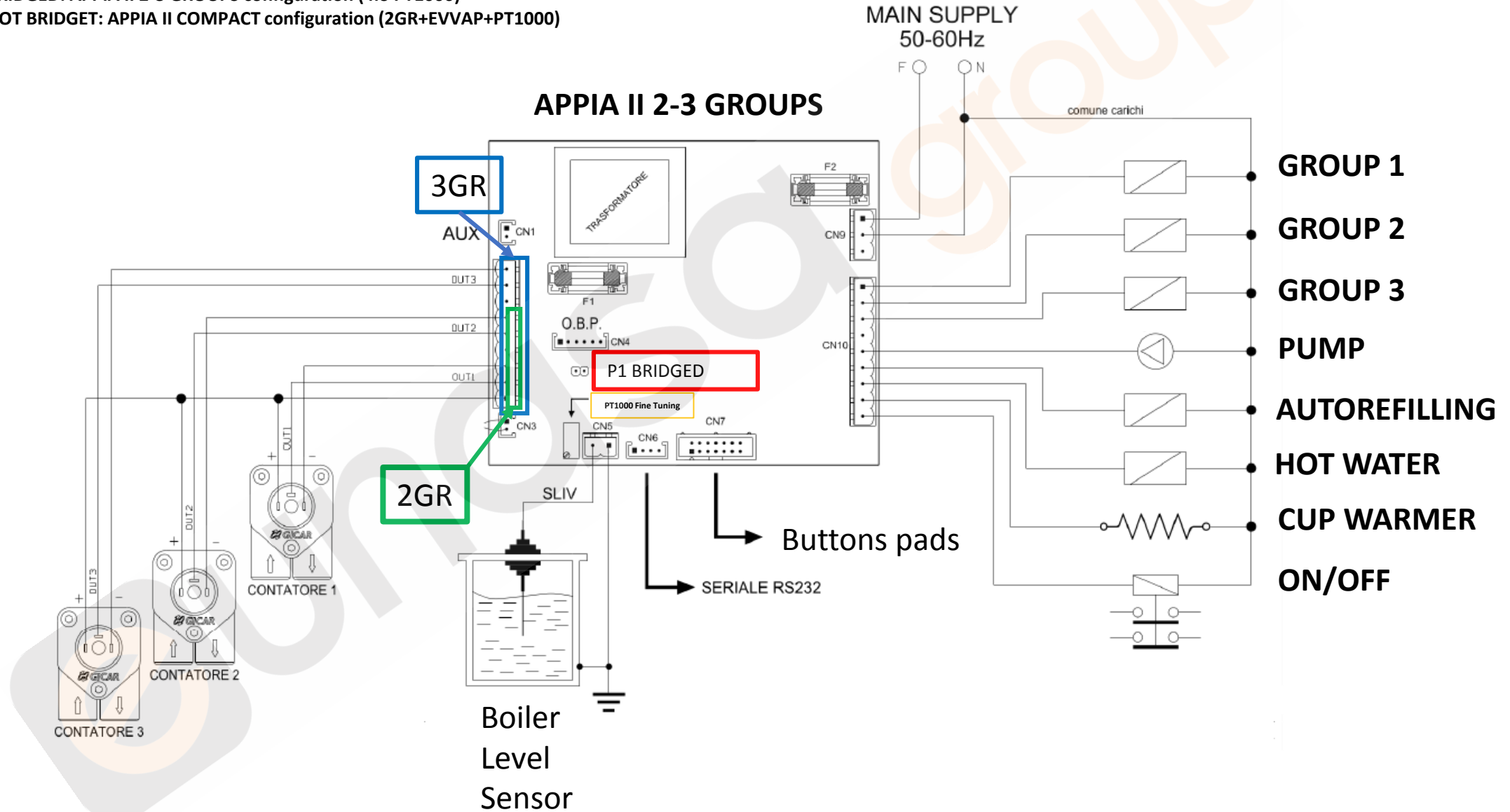


# Universal Board schematics for APPIA II 2-3

P1 BRIDGED: APPIA II 2-3 GROUPS configuration ( no PT1000)

P1 NOT BRIDGED: APPIA II COMPACT configuration (2GR+EVVAP+PT1000)



# Universal Board schematics for APPIA II COMPACT

P1 BRIDGED: APPIA II 2-3 GROUPS configuration ( no PT1000)  
 P1 NOT BRIDGED: APPIA II COMPACT configuration (2GR+EVVAP+PT1000)

