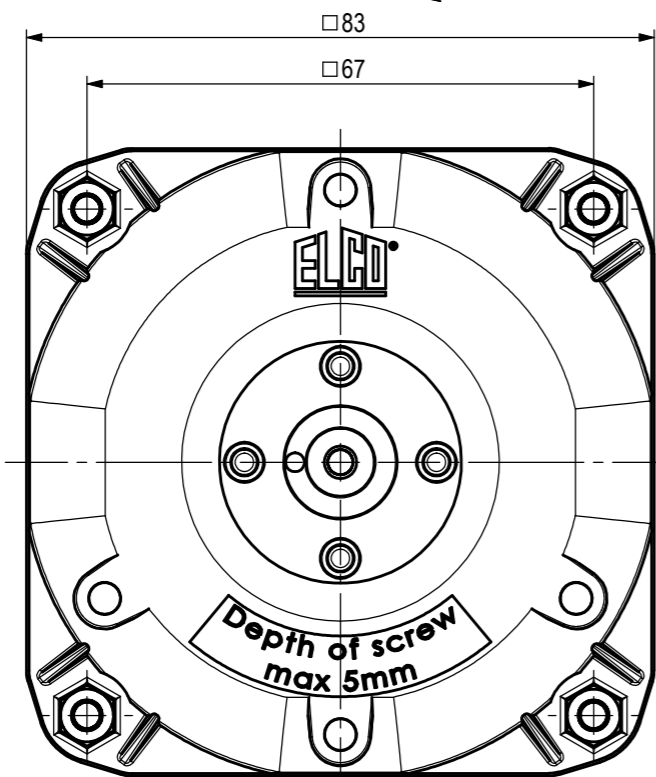
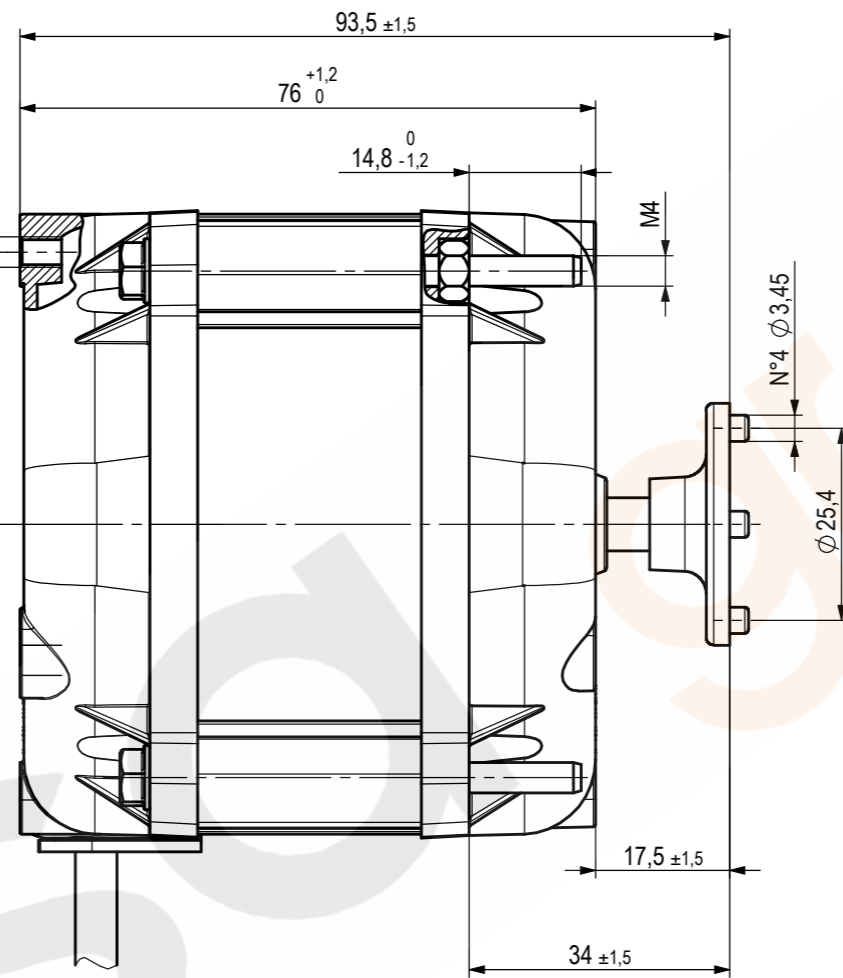


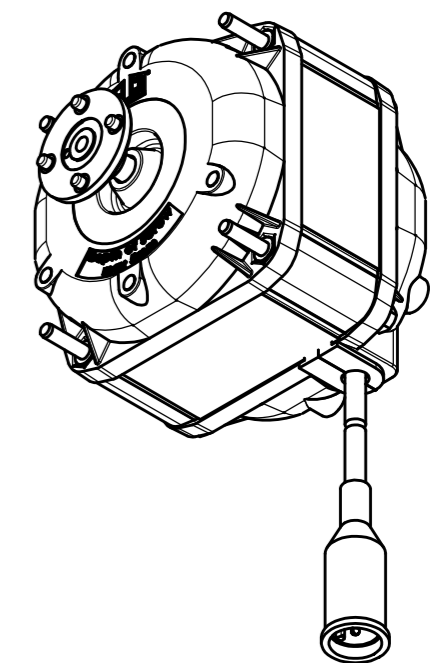
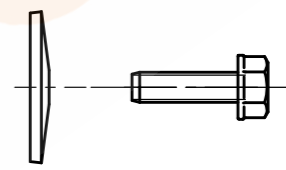
CCW ROTATION  
 ROTAZIONE ANTIORARIA



No.3 HOLES on Ø72 AT 120°  
 N°3 FORI SU INTERASSE Ø72 A 120°

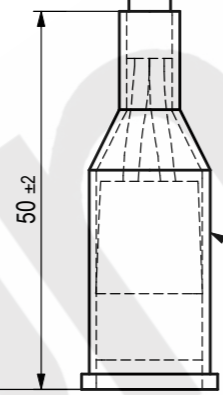


**PARTS SUPPLIED LOOSE**  
 (Particolari forniti a parte)



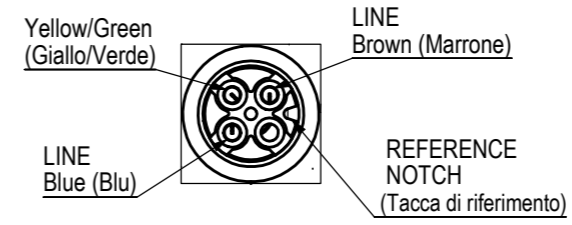
CABLE LENGTH  
 SPORGENZA CAVO

+30  
 200 0



- CABLE 3 x 0,50 mm<sup>2</sup> type H03V2V2-F (HT 90°C)
- MALE PIN CONTACT ( 3 Pcs. ) (CONTATTI PIN MASCHIO): AMP 163301-6
- CONNECTOR PIN HOUSING (CONNETTORE PORTAMASCHIO): AMP 925075-0
- RUBBER PROTECTION COVERAGE: (CAPPUCIO DI PROTEZIONE IN GOMMA): ELCO Code 1-071-107

**VIEW from 'A'**



- ALUMINIUM END-SHIELDS  
 (Coperchi in alluminio)

- ASSEMBLY NOTE : RULE EL.UN.0002
- MECHANICAL CHECK : RULE EL.CM. 001
- LABEL LOCATION : RULE EL.UN.0053
- ELECTRICAL CHECK : M.1906/1

**MOTOR with PLASTIC SPACERS and O-RING on the ROTOR GROUP**  
 Motore con centrifugatori e o-ring nel gruppo indotto

N 25-30 /1951 DATA  
 230/240V~ 50/60Hz 0,68A  
 25/95W 1300/1550Rpm  
 PROT. TERM. CL.B

CE  
 W26  
 NET1T25PNN002



Rel.	Date	Description	Executor signature	Checked

MODIFICATIONS

For dimension without tolerance see standard UNI EN 22768-mK	Treatment	A3
Material		
	Drawn M.Cazzaniga Date 31/08/12 Check T. Sirtori Scale ---	<b>MOTOR N 25-30 /1951</b> 230/240V ~ 50/60Hz
		Weight gr. _____ Ref. No R.S.12/0106 <b>NET1T25PNN002</b>