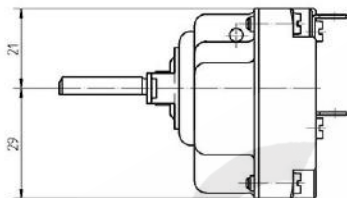


Teflon Isolierschlauch
Teflon insulation sleeve
1100_{±0} mm lang/length

1100⁺¹⁰⁰ mm lang/length

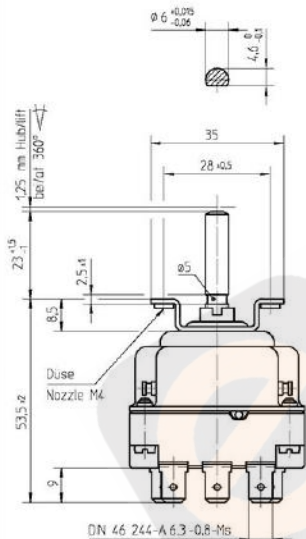


Temperaturregler bei Spindelstellung Anschlag links gezeichnet/
Thermostat drawn in minimum position

Genehmigte technische Daten/Approved technical data
55.34000.000, Bl.901

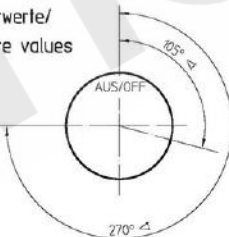
Bemerkungen/Notes:

Normalklima/Standard atmosphere DIN EN 60068-1 (23±2)°C
Temperaturen sind AUS-Werte/Temperatures are OFF values
Schaltdifferenz/Differential: 12±6K
In Werkambianzen EGO, standard built
Min. Fühlertemperatur/Mn. sensor temperature: -10°C (DO
Max. Fühlertemperatur/Max. sensor temperature: 370°C
Aus Sicherheitsgründen/Under safety reasons!
Schnappfeder/snap action spring: NiBe
Max. Gehäusetemperatur/Max. housing temperature (VDE): 150°C
Max. Gehäusetemperatur/Max. housing temperature (UL): 120°C
Min. Biegeradius Kapillarrohr/
Min. bending radius of capillary tube: 5 mm
Für Einsatz in Umgebungsbedingungen mit
normaler Verunreinigung/
For application with normal pollution level (Typ 1 B C)
Kunden-Zeichnungs-Nr./Customer drawing-No:



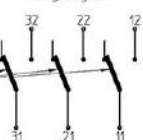
Temperaturwerte/
Temperature values

Drehbereich
Rotation range
316° ±10K



Arbeitsbeginn
Start
115° ±13K

Schaltenschema/
Wiring diagram



Kontaktstellung bei Anschlag links
und einer Fühlertemperatur von/
position of contacts at limitation left
and a sensor temperature of >10°C

➡ Korrekturfaktor/correction factor: $c = 0.66 [K/K]$
[bez. auf Umgebungstemp./based on ambient temperature]

This document is exclusively created for you for the stated purpose. Any kind of duplication, utilization or communication of its content is prohibited, if not expressly consented otherwise. Visitors are committed to pay compensation. Any claims of existing or future property rights remain unaffected.		Blank No.	EN Mat.No.	Scale Unit
1 CD0001 2010-12-15 Create 2008-04-10 SCHUHMAM		Material	Scale	11
Chg. Information No. Date Proc. 2008-04-10 SCHUHMAM		Surface Texture ISO 1302	11	
FRU/E 10.45.3 2008-04-10 Rel. 2008-04-11 KESSEL.BG.		General Tolerances ISO 2768-v	11	
E-G-O		Designation EGO Temperaturregler EGO Thermostat		
Origin		Reactor	Replay	Reference RM
Drawing No. 55.34059.812		Sh.No. 901	Ver. 0 F	Stat. 1
5		6	7	8