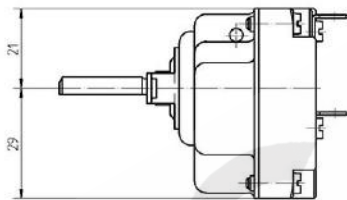


Teflon Isolierschlauch
Teflon insulation sleeve
1100_{±0} mm lang/length

1100_{±0} mm lang/length



Temperaturregler bei Spindelstellung Anschlag links gezeichnet/
Thermostat drawn in minimum position

Genehmigte technische Daten/Approved technical data
55.34000.000, Bl.901

Bemerkungen/Notes:

Normalklima/Standard atmosphere DIN EN 60068-1 (23±2)°C
Temperaturen sind AUS-Werte/Temperatures are OFF values
Schaltdifferenz/Differential: 12±6K

(in Werksembauform EGO, standard built)

Min. Fühlertemperatur/Mn. sensor temperature: -10°C (DO)
Max. Fühlertemperatur/Max. sensor temperature: 370°C

(aus Sicherheitsgründen/under safety reasons)

Schnappfeder/snap action spring: NiBe

Max. Gehäusetemperatur/Max. housing temperature (VDE): 150°C

Max. Gehäusetemperatur/Max. housing temperature (UL): 120°C

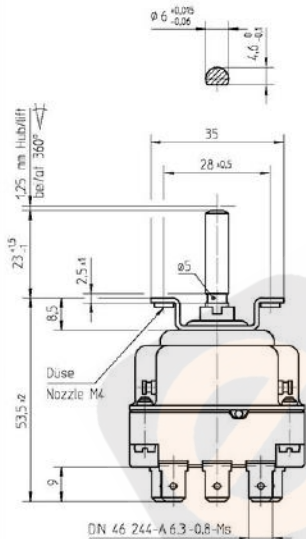
Min. Biegeradius Kapillarrohr/
Min. bending radius of capillary tube: 5 mm

Für Einsatz in Umgebungsbedingungen mit
normaler Verunreinigung/
For application with normal pollution level (Typ 1 B C)

Kunden-Zeichnungs-Nr./Customer drawing-No:

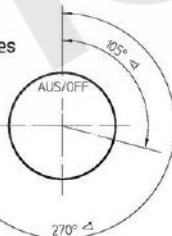
Korrekturfaktor/correction factor: $c = 0.66$ [K/K]

(bez. auf Umgebungstemp./based on ambient temperature)

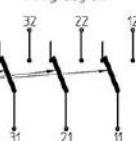


Temperaturwerte/
Temperature values

Drehbereich
Rotation range
316° ±10K



Schaltenschema/
Wiring diagram



Kontaktstellung bei Anschlag links
und einer Fühlertemperatur von/
position of contacts at limitation left
and a sensor temperature of >10°C

This document is exclusively created for you for the stated purpose. Any kind of duplication, utilization or communication of its content is prohibited, if not expressly consented otherwise. Visitors are committed to pay compensation. Any claims of existing or future property rights remain unaffected.		Blank No.	EN Mat.No.	Scale Unit
		Material		Scale
		Surface Texture ISO 1302		1:1
		General Tolerances ISO 2768-v		
		CAD Date Name		
1	CD0001	2010-12-15	Create: 2008-04-10	SCHUHMAM
Chg. Information No. Date		Proc. 2008-04-10	SCHUHMAM	
FRU/E 10453		2008-04-10	Rel. 2008-04-11	KESEL/BG
Origin		Revisor	Reply	Reference RM
E-G-O		Drawing No. 55.34059.812		Sh.No. 901
		Ver. 0 F	Stat. 1	Sheets 1
		Doc. 1		Ex.Doc.