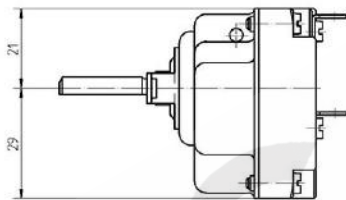


Teflon Isolierschlauch
Teflon insulation sleeve
1100_{±0} mm lang/length

1100⁺¹⁰⁰ mm lang/length

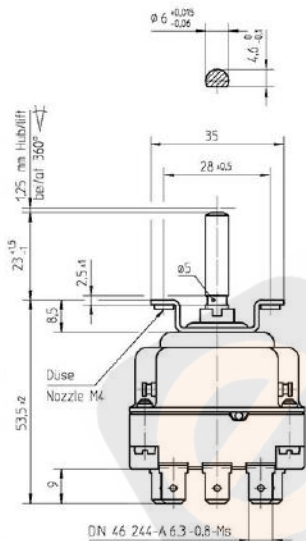


Temperaturregler bei Spindelstellung Anschlag links gezeichnet/
Thermostat drawn in minimum position

Genehmigte technische Daten/Approved technical data
55.34000.000, Bl.901

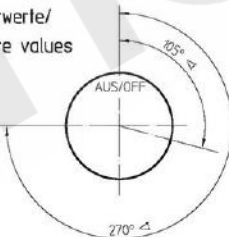
Bemerkungen/Notes:

Normalklima/Standard atmosphere DIN EN 60068-1 (23±2)°C
Temperaturen sind AUS-Werte/Temperatures are OFF values
Schaltdifferenz/Differential: 12±6K
In Werkambianzen EGO, standard built
Min. Fühlertemperatur/Mn. sensor temperature: -10°C (DO)
Max. Fühlertemperatur/Max. sensor temperature: 370°C
Aus Sicherheitsgründen/Under safety reasons!
Schnappfeder/snap action spring: NiBe
Max. Gehäusetemperatur/Max. housing temperature (VDE): 150°C
Max. Gehäusetemperatur/Max. housing temperature (UL): 120°C
Min. Biegeradius Kapillarrohr/
Min. bending radius of capillary tube: 5 mm
Für Einsatz in Umgebungsbedingungen mit
normaler Verunreinigung/
For application with normal pollution level (Typ 1 B C)
Kunden-Zeichnungs-Nr./Customer drawing-No:



Temperaturwerte/
Temperature values

Drehbereich
Rotation range
316° ±10K

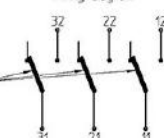


Arbeitsbeginn
Start
115° ±13K

➡ Korrekturfaktor/correction factor: $c = 0.66$ [K/K]
bez. auf Umgebungstemp./based on ambient temperature

Schaltanschaul/
Wiring diagram

Kontaktstellung bei Anschlag links
und einer Fühlertemperatur von/
position of contacts at limitation left
and a sensor temperature of >10°C



This document is exclusively created for you for the stated purpose. Any kind of duplication, utilization or communication of its content is prohibited, if not expressly consented otherwise. Visitors are committed to pay compensation. Any claims of existing or future property rights remain unaffected.		Blank No.	EN Mat.No.	Scale Unit mm
CAD Date Name 1 CD0001 2010-12-15 Create 2008-04-10 SCHUHMMAM		Surface Texture ISO 1302		
Chp. Information No. Date Proc. 2008-04-10 SCHUHMMAM		General Tolerances ISO 2768-v		
FRUE 10.45.3 2008-04-10 Rel. 2008-04-11 KESSEL.BG.		Designation EGO Temperaturregler EGO Thermostat		
Origin		Drawing No. 55.34059.812		
Reactor		Sh.No. Ver. Stat. Sheets Doc. Ex.Doc. 901 0 F 1 . .		Reference RM
Reply		Reference RM		