

RLD76/8600Z-3030L

AC centrifugal fan

forward curved, dual inlet
with housing (without flange)

Nominal data

Type	RLD76/8600Z-3030L	
Phase		1~
Nominal voltage	VAC	230
Frequency	Hz	50
Speed	min ⁻¹	2150
Power input	W	58
Current draw	A	0.53
Max. ambient temperature	°C	60
Air flow	m ³ /h	210
Pressure increase	Pa	165

ml = Max. load · me = Max. efficiency · fa = Running at free air · cs = Customer specs · cu = Customer unit
Subject to alterations



RLD76/8600Z-3030L

AC centrifugal fan

forward curved, dual inlet
with housing (without flange)

Technical features

Mass	1.5 kg
Material of impeller	Aluminum (Fire-aluminized sheet steel)
Housing material	Fire-aluminized sheet steel
Insulation class	"B"
Connection line	Flat plug 6.3x0.8

eundsd

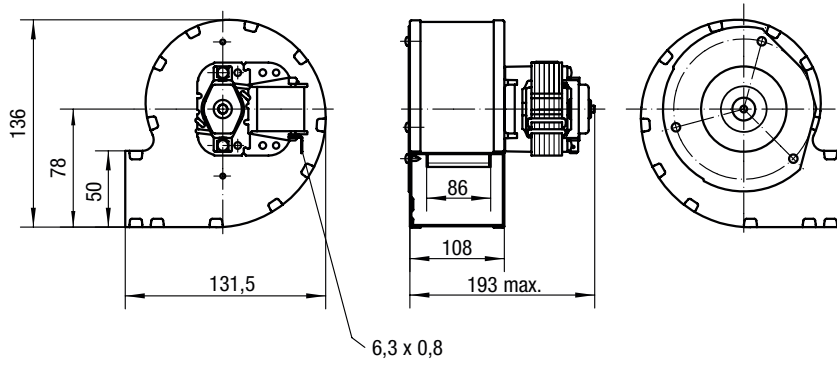


RLD76/8600Z-3030L

AC centrifugal fan

forward curved, dual inlet
with housing (without flange)

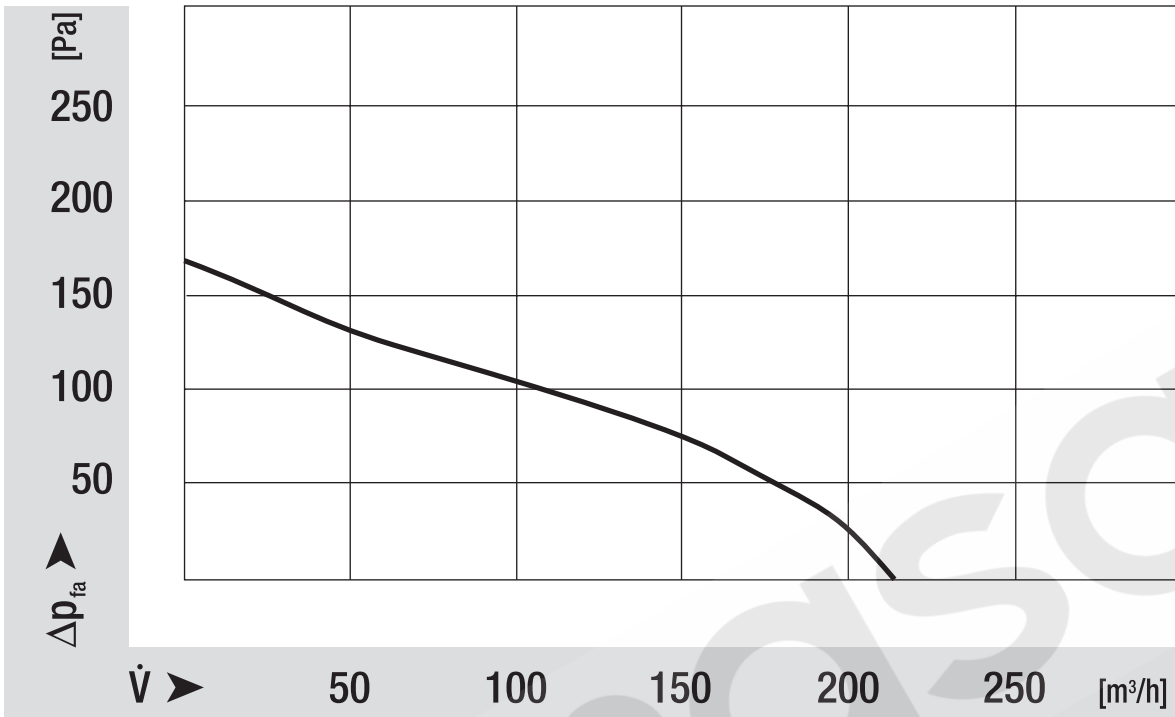
Product drawing



AC centrifugal fan

forward curved, dual inlet
with housing (without flange)

Charts: Air flow



AC centrifugal fan

forward curved, dual inlet
with housing (without flange)

Charts: Speed

