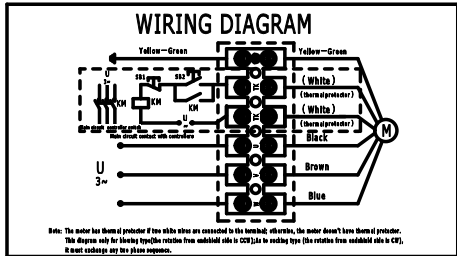


DRAWING NO

Wiring diagrams:



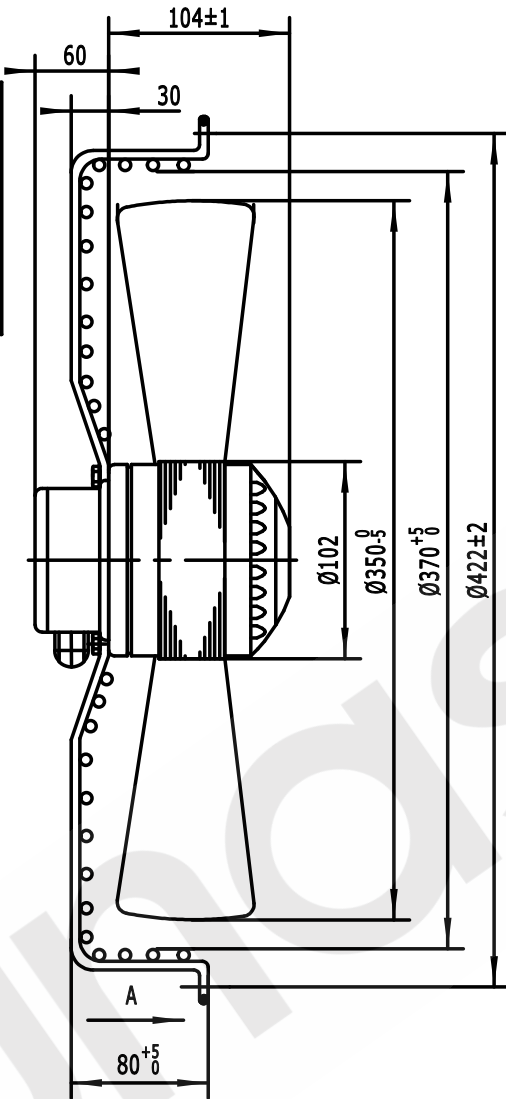
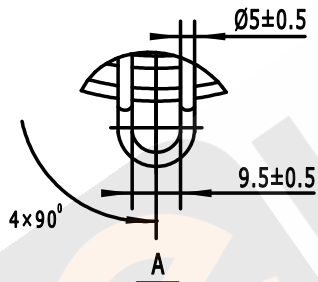
ErP2015 LABEL:

ErP2015 (N40)
 N=43.02 η_{statA} = 31.1%
 YWF4D-350S-P102/34

sucking
 Direction of airflow "S"

LABEL:

WEIGUANG® Axial Fan Motor
 YWF4D-350S
 P102/34-G
 380V 50Hz 0.38A 65/125W
 1420r/min CL.B XX/XX **CE**



Axial fan motor

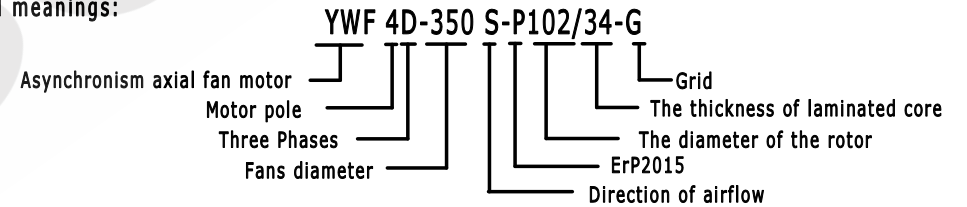
HANGZHOU WEIGUANG ELECTRONIC CO.,LTD.

Unit: axial fan motor	Type:
Motor: Three phases motor	Customer:
Motor type:YWF4D-350S-P102/34-G	Customer-type:

TYPE	Voltage v	Frequency Hz	Input power W	Current A	Speed r/min +/-5%	Air volume m ³ /h	noise level dBA	capacitor μ F/ VDB
YWF4D-350S-P102/34-G	380	50	125	0.38	1420	2300(20Pa)	64	/

Insulation class : B	Operating type: S ₁
Permissible ambient temperature : -30 ~ 60℃	Temperature increase: ΔT < 75K
Motor protection:thermocontact 135±5℃	Bearings: ball bearings
	License: CE CCC

Model meanings:



Electrical connection:lead wire Silikon 6G 0.50mm², Length 100mm in terminal box connected
 Direction of rotation: clockwise(sucking), Airflow direction:"S" looking at rotor side

APPROX. WEIGHT

MEANS

REV.	DESCRIPTION	APPROVED	DATE	DECIMAL	TOLERANCE	SIGN	DATE
				X	±0.5	DRN. BY	
				X.X	±0.25	CHD. BY	
				X.XX	±0.15	ENG. BY	
				ANGLE	±3°	APP. BY	

TITLE
YWF4D-350S-P102/34-G

PROJECTION **A4**
 SCALE
 SHEET: of