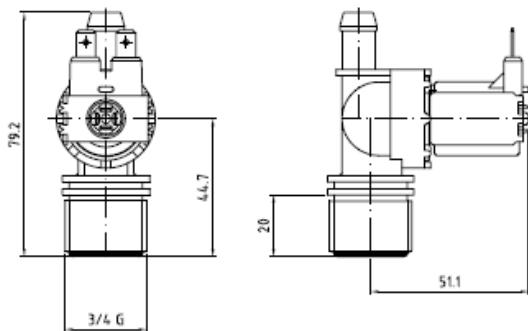
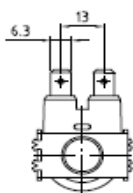


ONE WAY INLET VALVE

TIPO ES 180/88

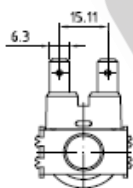


Coils



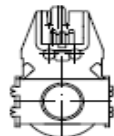
220/240V 50-60Hz 8VA
 220/240V 50-60Hz 8VA RINF.
 12V 50-60Hz
 12V DC
 24V 50-60Hz
 24V DC

0.2 + 10 bar (0.02 + 1Mpa)
 T60°C Tm25°C 100% ED
 T60°C Tm90°C AB 3/5MIN



120V 60Hz

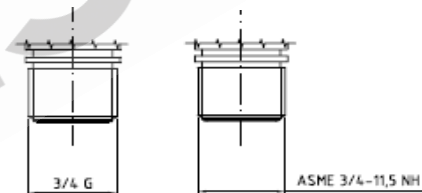
0.2 + 10 bar (0.02 + 1Mpa)
 T60°C Tm25°C 100% ED
 T60°C Tm90°C AB 3/5MIN



220/240V 50-60Hz 8VA
 220/240V 50-60Hz 8VA RINF.
 120V 60Hz
 24V DC

0.2 + 10 bar (0.02 + 1Mpa)
 T60°C Tm25°C 100% ED
 T60°C Tm90°C AB 3/5MIN

Inlet thread

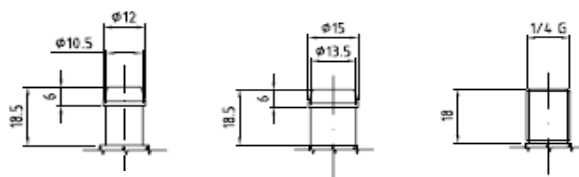


Outlet

Small

Big

Threaded



Bracket

Metal

Plastic 45

Plastic 50

