

RG128/1300-3612

EC centrifugal fan

single-intake

with housing (flange), Gas blower for condensing boilers



ebm-papst Landshut GmbH

Hofmark-Aich-Straße 25

D-84030 Landshut

Phone +49 (0) 871 707-0

Fax +49 (0) 871 707-465

info3@de.ebmpapst.com

www.ebmpapst.com

Nominal data

Type	RG128/1300-3612	
Phase		1~
Nominal voltage	VAC	230
Frequency	Hz	50/60
Speed	min ⁻¹	7400
Power consumption	W	67
Air flow	m ³ /h	134
Pressure increase	Pa	2000

ml = Max. load · me = Max. efficiency · fa = Free air · cs = Customer specification · ce = Customer equipment
Subject to change

RG128/1300-3612

EC centrifugal fan

single-intake

with housing (flange), Gas blower for condensing boilers

Technical description

Weight	1.4 kg
Housing material	Die-cast aluminum
Installation position	Must be specified due to position-dependent support elements
Storage	Ball bearing
Cable	A and C



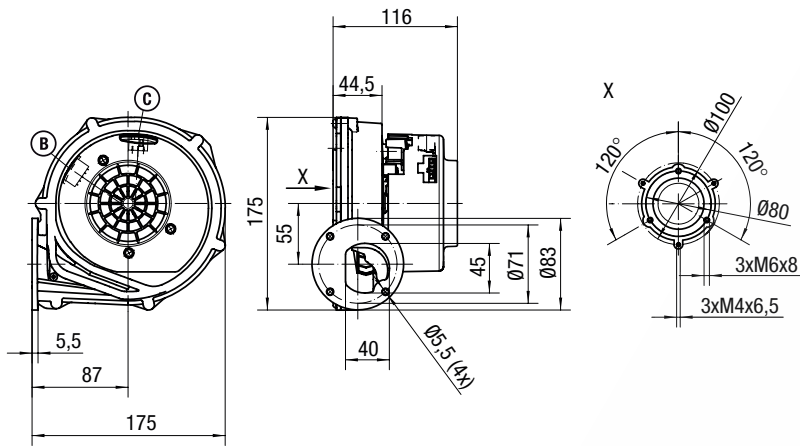
RG128/1300-3612

EC centrifugal fan

single-intake

with housing (flange), Gas blower for condensing boilers

Product drawing

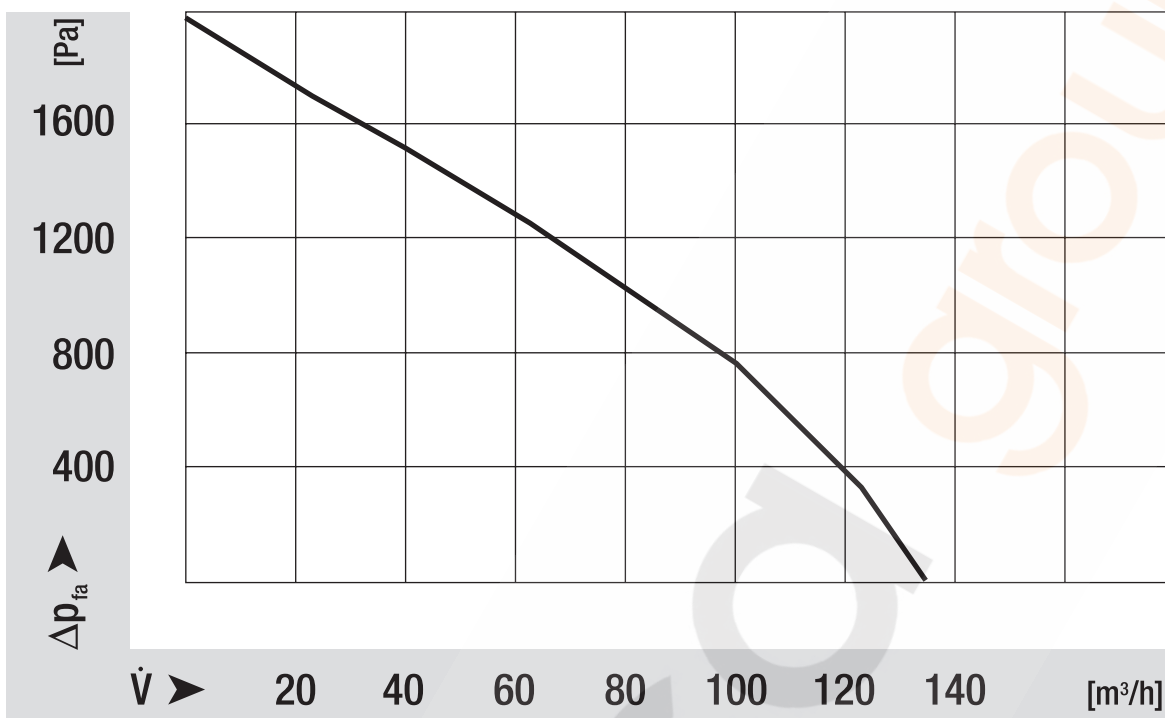


EC centrifugal fan

single-intake

with housing (flange), Gas blower for condensing boilers

Curves: Air performance



EC centrifugal fan

single-intake

with housing (flange), Gas blower for condensing boilers

Curves: Speed

