

820 NOVA

Sostituzione Bobina



ACCESSORI SIT 820 NOVA
SIT 820 NOVA ACCESSORIES
ACCESSOIRES POUR SIT 820 NOVA
SIT 820 NOVA ZUBEHÖR

ISTRUZIONI PER IL MONTAGGIO
ASSEMBLY INSTRUCTIONS
INSTRUCTIONS DE MONTAGE
EINBAUANWEISUNGEN

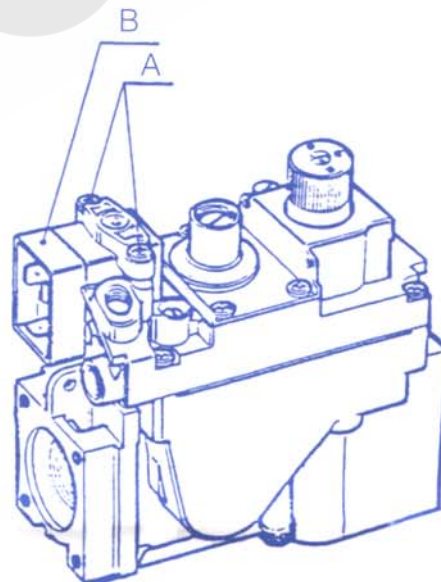
- Togliere l'alimentazione elettrica.
- Svitare le viti di fissaggio (A).
- Sfilare la bobina da sostituire (B).
- Inserire la nuova bobina (B).
- Bloccarla tramite le 2 viti (A) (coppia di serraggio 300 Ncm).
- Eseguire 4-5 cicli completi verificando il funzionamento.

- Couper l'alimentation électrique.
- Devisser les 2 vis de fixation (A).
- Enlever la bobine a remplacer (B).
- Mettre la nouvelle bobine (B).
- La bloquer a l'aide des 2 vis (A) (couple de serrage 300 Ncm).
- Effectuer 4-5 cycles de fonctionnement complets.

- Cut off the electrical supply.
- Unscrew the two fixing screws (A).
- Remove the operator to be replaced (B).
- Insert the new operator (B).
- Block the operator by means of the two screws (A) (By use of a torque at 300 Ncm).
- Effect 4-5 complete functional cycles.

- Elektrische Versorgung unterbrechen.
- Befestigungsschrauben (A) abschrauben.
- Die zu ersetzende (B) Spule herausnehmen.
- Die neue Spule einsetzen (B).
- Durch die zwei Schrauben (A) die Spule festmachen (Drehmoment 300 Ncm)
- 4-5 komplette Arbeitsspiele durchführen und die Arbeitsweise überprüfen.

BOBINA
BOBINE
OPERATOR
SPULE



WARNING!

This operator must ONLY be applied as part of a Accessory kit supplied by the APPLIANCE MANUFACTURER for the specific appliance, and type of gas, being converted.

INSTALLER NOTICE. These instructions must be left with appliance.



SITGroup