



Feature and benefits

- Polypropylene housing – shockproof & resistant to chemical aggression
- Easy maintenance – takes seconds to replace squeeze tube
- Easy mounting bracket – bracket included
- Variable Speed models for adjusting dose rate
- LED indication on variable speed models
- Reliable & accurate dosing
- Waterproof – can be mounted outside (IP65)

SEKO peristaltic pump are ideal for most low pressure dosing applications where continuous dosing is not required. They are supplied complete with tubing, foot valve and injection valve, as well as a wall bracket for simple installation.

These pumps are ideals for swimming pool and cooling tower dosing applications as well as for industrial washing and dishwashing machine dosing applications. As they are self-priming, they are ideal for dosing oxidising chemicals, such as Sodium Hypochlorite.

Operation

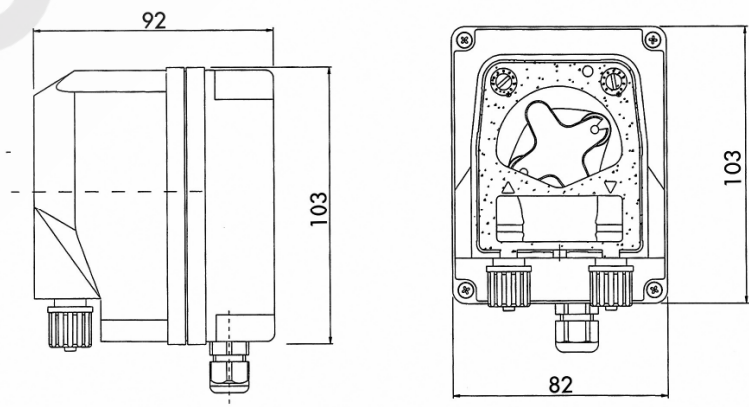
When the pump is powered, the roller assembly rotates, and in doing so, pinches the tube between the rollers and the pump body. Any air, or liquid inside the squeeze tube between the rollers moves along in a clockwise fashion. This action sucks the chemical up, through the squeeze tube, and out through the discharge tubing.

The PR series have a trim potentiometer, which when adjusted, varies the speed of the rotor assembly. This achieves a variable dose rate.

Furthermore, the PR series have a green LED indicating when the pump is powered.

All pumps are supplied with foot valve, suction tubing, discharge tubing and injection valve.

MODEL	PPR0018A1000
CERTIFICATION	CE
TYPE	PR
POWER SUPPLY	230 VAC
FREQUENCY	50/60Hz
CONSUMPTION	3,5 W
PERISTALTIC TUBE	SANTOPRENE 6X10
CC/REVOLUTION	2,5
FLOW-RATE	18 l/h
GPH	4,75
GPD	114,12
MAX BACKPRESSURE	0,1 Bar
MPA	0,01
PSI	1,45
IP DEGREE	IP65



ACCESSORIES INCLUDED

SUCTION AND DISCHARGE TUBING	PVC 4x6 tube (4m roll)
FIXING KIT	SCREW / ANCORS / BRACKET