

## AC centrifugal fan

forward curved, single inlet  
with housing (without flange)

## Nominal data

Type	G2E133-DN77-01		
Motor	M2E068-BF		
Phase		1~	1~
Nominal voltage	[V]	230	230
Frequency	[Hz]	50	60
Type of data definition		rfa	rfa
Valid for approval / standard		CE	CE
Speed	[min <sup>-1</sup> ]	2150	2100
Power input	[W]	88	110
Current draw	[A]	0.39	0.49
Motor capacitor	[μF]	2	2
Capacitor voltage	[VDB]	450	450
Min. back pressure	[Pa]	0	0
Max. ambient temperature	[°C]	55	50

ml = max. load · me = max. efficiency · rfa = running at free air · cs = customer specs · cu = customer unit  
Subject to alterations

# AC centrifugal fan

forward curved, single inlet  
with housing (without flange)

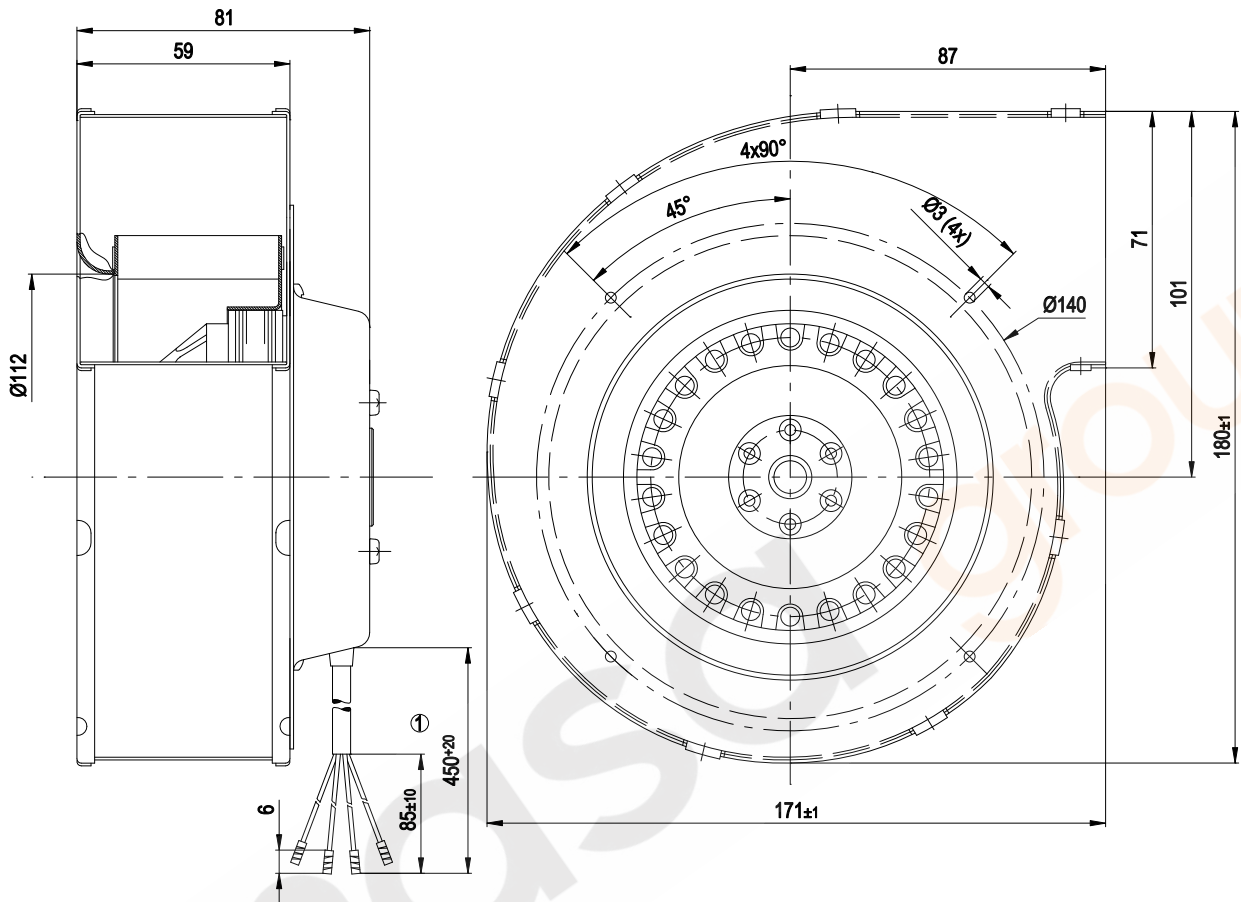
## Technical features

Leakage current	< 0.75 mA
Size	133 mm
Operation mode	S1
Direction of rotation	Clockwise, seen on rotor
Mounting position	Any
Insulation class	"B"
Cable exit	Variable
Condensate discharge holes	None
Bearing motor	Ball bearing
Mass	1.9 kg
Housing material	Sheet steel, hot-galvanised
Material of impeller	Sendzimir galvanized sheet steel
Motor protection	Thermal overload protector (TOP) wired internally
Product conforming to standard	CE; EN 60335-1
Surface of rotor	Partially cast in aluminium
Type of protection	IP 44
Protection class	I
Max. permissible ambient motor temp. (transp./ storage)	+ 80 °C
Min. permissible ambient motor temp. (transp./storage)	- 40 °C
Approval	CCC

# AC centrifugal fan

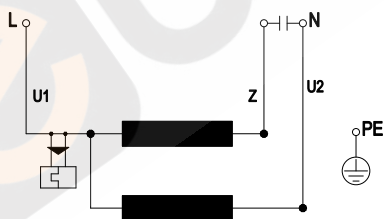
forward curved, single inlet  
with housing (without flange)

## Product drawing



Connection line PVC 4G 0.5 mm<sup>2</sup>, 4x brass lead tips crimped

## Connection screen

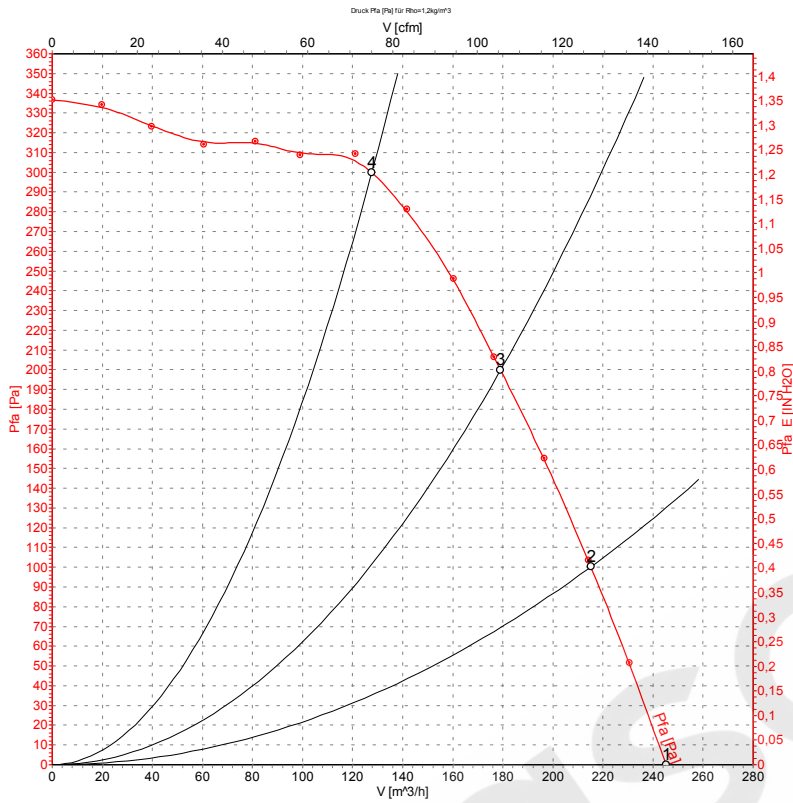


U1	blue	Z	brown	U2	black
PE	green/yellow				

# AC centrifugal fan

forward curved, single inlet  
with housing (without flange)

## Charts: Air flow 50 Hz



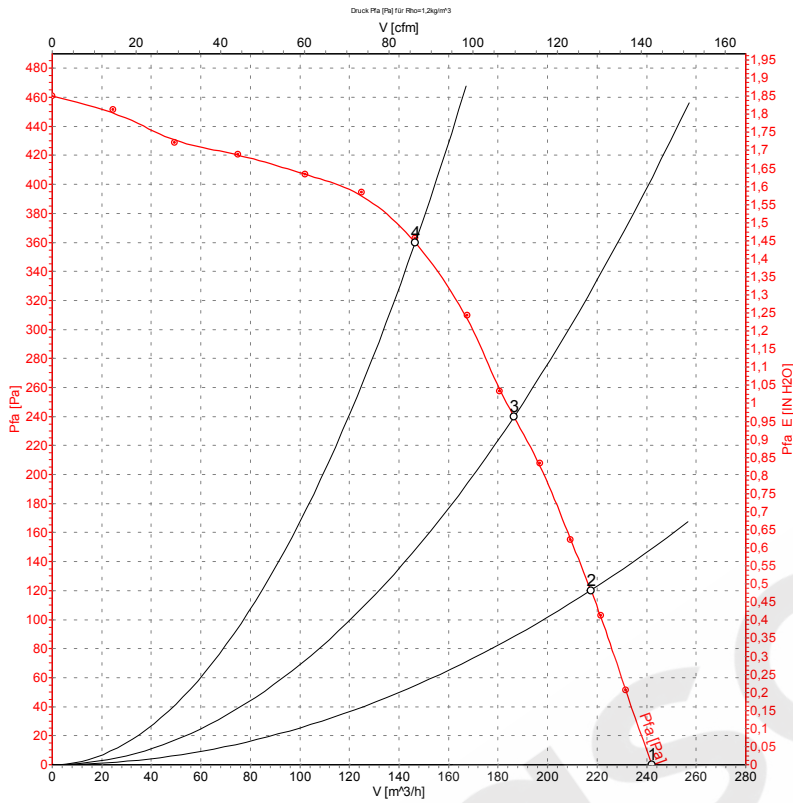
### Measured values

	U	f	n	P <sub>1</sub>	I	Ŷ	P <sub>fa</sub>
	[V]	[Hz]	[min <sup>-1</sup> ]	[W]	[A]	[m <sup>3</sup> /h]	[Pa]
1	230	50	2150	88	0.39	245	0
2	230	50	2325	79	0.35	215	100
3	230	50	2460	74	0.33	180	200
4	230	50	2610	68	0.31	130	300

# AC centrifugal fan

forward curved, single inlet  
with housing (without flange)

## Charts: Air flow 60 Hz



Measurement: LU-104597

### Measured values

	U	f	n	$P_1$	I	$\hat{V}$	$P_{fa}$
	[V]	[Hz]	[ $min^{-1}$ ]	[W]	[A]	[ $m^3/h$ ]	[Pa]
1	230	60	2100	110	0.49	240	0
2	230	60	2400	99	0.43	220	120
3	230	60	2635	94	0.41	185	240
4	230	60	2875	88	0.38	145	360