

HXD55MA DELTA LBP/MBP Compressor Superior Efficiency R600a 220-240V 50Hz

General

Code number (pre-assembled RSIR start equipment)	CDO00080
Approvals	EN 60335-2-34 w. Annex AA
Compressors on pallet	168

Application

Application	LBP/MBP		
Frequency	Hz	50	60
Evaporating temperature	°C	-35 to 10	-
Voltage range	V	187 to 254	-
Max. condensing temperature continuous (short)	°C	65 (75)	-
Max. winding temperature continuous (short)	°C	120 (130)	-

Cooling requirements

Frequency	Hz	50			60		
Application		LBP	MBP	HBP	LBP	MBP	HBP
32°C		S	S	-	-	-	-
38°C		S	S	-	-	-	-
43°C		S	S	-	-	-	-
Remarks on application:							

Motor

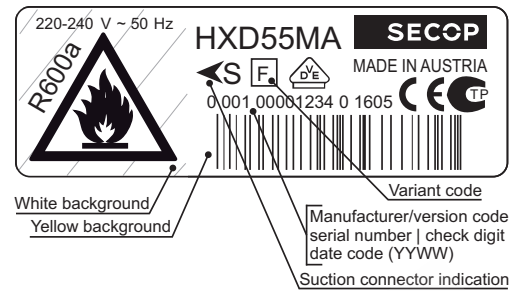
Motor type	RSCR/RSIR		
LRA (rated after 4 sec. UL984), HST LST	A	-	2.4
Cut in Current, HST LST	A	-	7.0
Resistance, main start winding (25°C)	Ω	36.3	32.6

Design

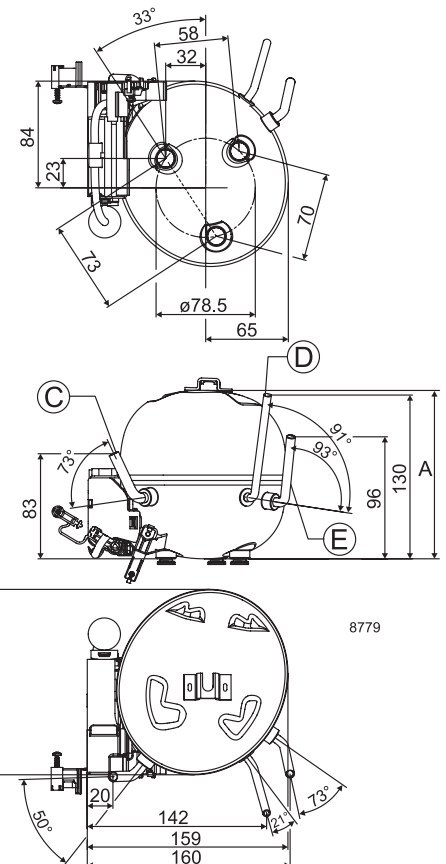
Displacement	cm ³	5.50
Oil quantity (type)	cm ³	84 (mineral)
Maximum refrigerant charge	g	150
Free gas volume in compressor	cm ³	837
Weight without electrical equipment	kg	3.9

Dimensions

Height	mm	A	133
		B	-
Suction connector	location/I.D. mm angle	C	6.2 73°
	material comment		Copper Rubber plug
Process connector	location/O.D. mm angle	D	6.0 91°
	material comment		Copper Rubber plug
Discharge connector	location/I.D. mm angle	E	5.0 93°
	material comment		Cu-plated steel Rubber plug
Oil cooler connector	location/I.D. mm angle	F	-
	material comment		-
Connector tolerance	I.D. mm		±0.1
Remarks:			



- S = Static cooling normally sufficient
- O = Oil cooling
- F₁ = Fan cooling 1.5 m/s (compressor compartment temperature equal to ambient temperature)
- F₂ = Fan cooling 3.0 m/s necessary
- SG = Suction gas cooling normally sufficient
- = not applicable in this area



EN 12900 MBP

220V, 50Hz, RC 2.0µF, ePTC consumption incl., static cooling

Evap. temp. in °C	-45	-40	-35	-30	-25	-23.3	-20	-15	-10	-6.7	-5	0	5	7.2	10	15	20
Capacity in W			48.1	62.7	81.7	89.3	106	134	169	194	209	254	307	331	365		
Power cons. in W			47.2	53.5	60.0	62.2	66.6	73.4	80.5	85.2	87.7	95.1	103	106	111		
Current cons. in A			0.31	0.33	0.35	0.35	0.37	0.39	0.42	0.44	0.45	0.48	0.51	0.52	0.54		
COP in W/W			1.02	1.17	1.36	1.43	1.58	1.83	2.10	2.28	2.38	2.67	2.98	3.12	3.29		

ASHRAE LBP

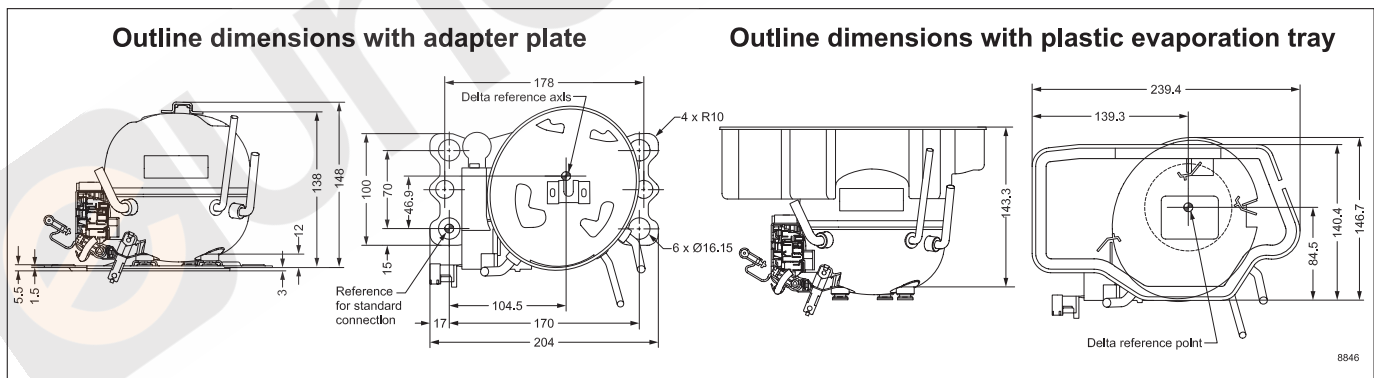
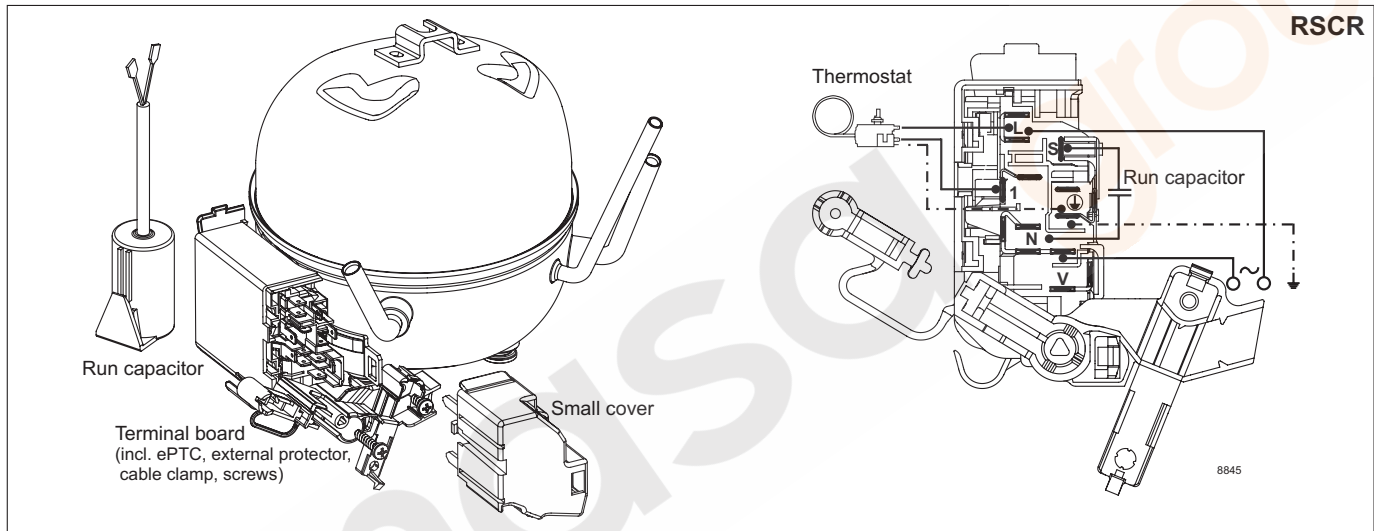
220V, 50Hz, RC 2.0µF, ePTC consumption incl., static cooling

Evap. temp. in °C	-45	-40	-35	-30	-25	-23.3	-20	-15	-10	-6.7	-5	0	5	7.2	10	15	20
Capacity in W			51.0	67.3	88.5	96.9	115	147	185	213	229	280	338	365	403		
Power cons. in W			45.3	52.5	59.9	62.4	67.4	75	82.8	88	90.7	98.8	107	111	116		
Current cons. in A			0.31	0.33	0.35	0.36	0.38	0.41	0.44	0.46	0.47	0.51	0.54	0.56	0.58		
COP in W/W			1.13	1.28	1.48	1.55	1.71	1.96	2.23	2.42	2.52	2.83	3.15	3.3	3.49		

ASHRAE MBP

220V, 50Hz, RC 2.0µF, ePTC consumption incl., static cooling

Evap. temp. in °C	-45	-40	-35	-30	-25	-23.3	-20	-15	-10	-6.7	-5	0	5	7.2	10	15	20
Capacity in W			45.9	60.6	79.6	87.1	103	132	166	192	206	251	303	328	361		
Power cons. in W			44.8	52.0	59.3	61.8	66.7	74.3	82.0	87.1	89.8	97.8	106	110	114		
Current cons. in A			0.31	0.33	0.35	0.36	0.38	0.41	0.44	0.46	0.47	0.51	0.54	0.56	0.58		
COP in W/W			1.02	1.16	1.34	1.41	1.55	1.78	2.03	2.20	2.29	2.57	2.86	2.99	3.16		



Accessories for	HXD55MA	Code number
Run capacitor (optional)	4.8 mm spade connectors	2.0 µF
Small cover (compulsory, delivered separately)		160943_
Adapter plate		157008_
Evaporator tray		162531_

Test conditions	EN 12900	ASHRAE	
	MBP	LBP	MBP
Condensing temperature	45°C	54.4°C	54.4°C
Ambient temperature	32°C	32.2°C	35°C
Suction gas temperature	20°C	32.2°C	35°C
Liquid temperature	no subcooling	32.2°C	46.1°C

Spare parts for	HXD55MA	Code number
Terminal board (incl. ePTC, external protector, cable clamp, screws)	4.8 mm spade connectors	BX E4
Motor protector	AE23FLS	E4

Mounting accessories (for adapter plate)	Code number	
Bolt joint for one comp.	Ø: 16 mm	118-1917
Bolt joint in quantities	Ø: 16 mm	118-1918
Snap-on in quantities	Ø: 16 mm	118-1919

Secop can accept no responsibility for possible errors in catalogues, brochures and other printed material. Secop reserves the right to alter its products without notice. This also applies to products already on order provided that such alterations can be made without consequential changes being necessary in specifications already agreed. All trademarks in this material are property of the respective companies. Secop and the Secop logotype are trademarks of Secop GmbH. All rights reserved.