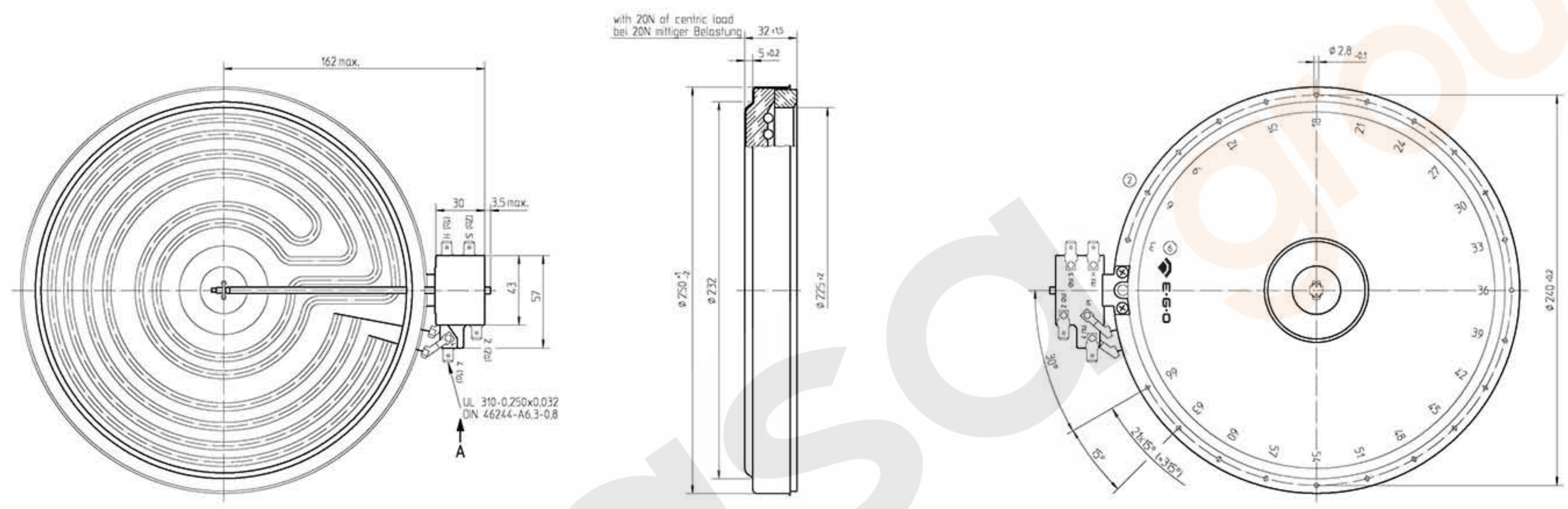


EGOnomic
2500W
230V~

color assignment/Farbzueordnung
230V without/ohne
240V blue/blau
400V red/rot

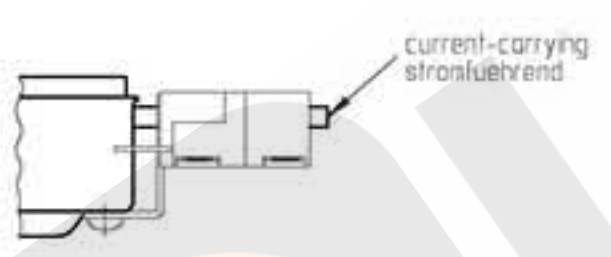


secure only by the spring embossed edge max. screw in deep 6mm Thread end ISO 1478-form C Nur an der Randeinprägung federnd niederhalten max. Einschraubtiefe 6mm Gewindeende ISO 1478-Form C

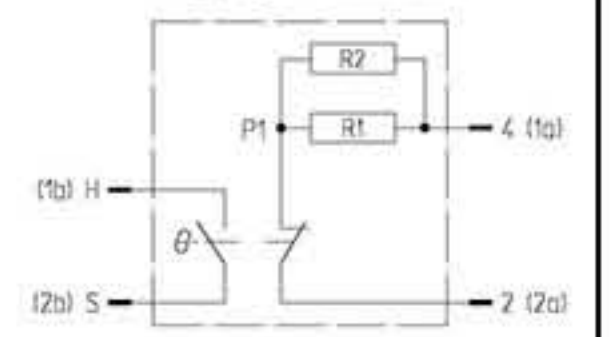
Limiter/Begrenzer
③ 60.25172.013
④ max. permissible temperature of housing 250°C
⑦ max. zulässige Temperatur am Gehäuse 250°C

adjustment/Juierung:
glass surface temperature (T_g) Hightrans eco
Glasoberflächentemperatur (T_g) Hightrans eco
2 (2a) - 4 (1a) 580°C
S (2b) - H (1b) out/Aus 65°C

A(1:1.5)



wiring diagram/Schaltschema



9										
8										
7										
6	10.73631.016	3000	400	1500	1500				X	①
5										
4	10.73631.014	2500	230	1250	1250				X	
3										
2										
1										
0										
Pos	type	W wattage Leistung	V~ voltage Spannung	R1 rated conductor Heizleiterabstufung	R2				patent no. Patent-Nr.	approval marks Prüfzeichen X X

tolerance/Tolerierung DIN 7167

8	B02605	2011-10-19	This document is exclusively committed to you for the agreed purpose. Any kind of duplication, utilization or communication of its content is prohibited if not expressly conceded otherwise. Visitors are committed to pay compensation. Any claims of existing or future property rights remain unaffected.	Blank No. .	EN Mat.No. .	Scale Unit				
7	B02516	2011-05-06		Material .		mm				
6	B02485	2011-02-10		Surface Texture ISO 1302		Scale				
5	CD0001	2010-12-15		General Tolerances ISO 2768-mH-E		1:2				
4	B02316	2010-03-31		Designation						
3	B01851	2008-04-02		EGOnomic 230						
2	B01740	2007-10-10		EGOnomic 230						
Cha.	Information No.	Date	Proc.	2011-10-18	KATZENMS					
F.Ref.	B00954	2004-09-01	Ret.	2011-10-18	KATZENMS					
				Drawing No.	Sh.No.	Ver.	Stat.	Sheets	Doc.	Ex.Doc.
				10.73631.01X	901	7	F	.	.	.
Origin .	Rep/for .		Rep/by .		Ret.					