

Technical Data Sheet

Compressor model **MS26TB_V**
 Voltage **220-240V 50Hz ~1**
 Refrigerant **R404A**

APPLICATION

COMPRESSOR

MOTOR

Application	High-Medium Back Pressure	Displacement	25,93 cm ³	Nominal Power	1 3/8 hp
Refrigerant	R404A	Diameter	39,98 mm	Voltage/Frequency	220-240V 50Hz
Evaporating Temp.	-25,0 °C to 10,0 °C	Stroke	20,65 mm	Voltage range	187-255 V
Expansion	Capillar/Valve	Net Weight	22,12 Kg	Type	CSR
Comp. Cooling	Fan cooled	Oil type	ISO VG 46 ESTER	Phase number	1 PH
Max. ambient temp.	43,0 °C	Oil charge	887 cm ³	Locked Rotor Amps (LRA)	38,00 A
				Max. Cont. Current (MCC)	11,50 A
				Main W. resist. at 25°C	1,65 Ω
				Start W. resist. at 25°C	4,90 Ω

NOMINAL PERFORMANCE

	ASHRAE	CECOMAF
Cooling Capacity	3.448 kCal/h	3.164 W
COP	2,46 W/W	2,00 W/W
EER	2,12 kCal/Wh	1,72 kCal/Wh
Input Power	1.629 W	1.586 W
Current	8,10 A	7,91 A

APPROVALS



TEST CYCLE CONDITIONS

	ASHRAE HMBP (D)	CECOMAF HMBP (C)
Evaporating temp. (T _e)	7,2 °C	5,0 °C
Condensing temp. (T _c)	55,0 °C	55,0 °C
Liquid temp. (T _{liq.})	46,0 °C	55,0 °C
Ambient temp. (T _{amb.})	35,0 °C	32,0 °C
Suction temp. (T _{suction})	35,0 °C	32,0 °C
Voltage/Frequency	220 V 50 Hz	220 V 50 Hz

ELECTRICAL COMPONENTS

Starting capacitor	88-108 μF 330 V		
Run capacitor	20 μF 420 V		
Relay	Option 1	Option 2	
Reference	3ARR3 10AS3	RVA 3G..	
Pick-Up	180-195 V	180-195 V	
Drop-Out	40-105 V	40-105 V	
Protector	Option 1	Option 2	
Reference	MRA38123	T0534	
Current	22,00 A	20,00 A	
Time check	7,5-14 seg	7,5-14 seg	
Disc temp. (Open/Close)	105,00 / 52,00 °C	105,00 / 52,00 °C	

ASHRAE

Tc °C	Te °C	Cooling Capacity kCal/h	Consumption W	Current A	COP W/W	EER kCal/Wh
40	-25	1.105	810	4,47	1,59	1,36
40	-20	1.481	910	4,91	1,89	1,63
40	-15	1.913	1.007	5,34	2,21	1,90
40	-10	2.400	1.099	5,75	2,54	2,18
40	-5	2.942	1.188	6,14	2,88	2,48
40	0	3.539	1.273	6,52	3,23	2,78
40	5	4.192	1.354	6,88	3,60	3,09
40	7,2	4.497	1.389	7,03	3,77	3,24
40	10	4.900	1.432	7,22	3,98	3,42

45	-25	960	790	4,38	1,41	1,22
45	-20	1.305	906	4,89	1,68	1,44
45	-15	1.704	1.018	5,38	1,95	1,67
45	-10	2.160	1.126	5,86	2,23	1,92
45	-5	2.670	1.230	6,33	2,52	2,17
45	0	3.235	1.331	6,77	2,83	2,43
45	5	3.856	1.428	7,20	3,14	2,70
45	7,2	4.147	1.469	7,39	3,28	2,82
45	10	4.532	1.521	7,62	3,47	2,98

50	-25	815	770	4,29	1,23	1,06
50	-20	1.128	901	4,87	1,46	1,25
50	-15	1.496	1.029	5,43	1,69	1,45
50	-10	1.919	1.152	5,98	1,94	1,67
50	-5	2.398	1.272	6,51	2,19	1,88
50	0	2.932	1.388	7,03	2,46	2,11
50	5	3.521	1.501	7,53	2,73	2,35
50	7,2	3.798	1.549	7,74	2,85	2,45
50	10	4.165	1.609	8,01	3,01	2,59

55	-25	670	750	4,20	1,04	0,89
55	-20	951	897	4,85	1,23	1,06
55	-15	1.287	1.040	5,48	1,44	1,24
55	-10	1.679	1.179	6,10	1,66	1,42
55	-5	2.126	1.314	6,70	1,88	1,62
55	0	2.628	1.446	7,29	2,11	1,82
55	5	3.185	1.574	7,85	2,35	2,02
55	7,2	3.448	1.629	8,10	2,46	2,12
55	10	3.798	1.698	8,41	2,60	2,24

60	-25	525	730	4,11	0,84	0,72
60	-20	774	892	4,83	1,01	0,87
60	-15	1.079	1.051	5,53	1,19	1,03
60	-10	1.439	1.206	6,22	1,39	1,19
60	-5	1.854	1.357	6,89	1,59	1,37
60	0	2.324	1.504	7,54	1,80	1,55
60	5	2.850	1.647	8,18	2,01	1,73
60	7,2	3.099	1.709	8,46	2,11	1,81
60	10	3.431	1.787	8,80	2,23	1,92

CECOMAF

Tc °C	Te °C	Cooling Capacity W	Consumption W	Current A	COP W/W	EER kCal/Wh
40	-25	1.155	815	4,49	1,42	1,23
40	-20	1.559	915	4,93	1,70	1,47
40	-15	2.017	1.012	5,36	1,99	1,72
40	-10	2.528	1.106	5,78	2,29	1,98
40	-5	3.093	1.196	6,17	2,59	2,23
40	0	3.711	1.282	6,56	2,89	2,50
40	5	4.383	1.364	6,92	3,21	2,78
40	7,2	4.695	1.400	7,08	3,35	2,90
40	10	5.108	1.443	7,27	3,54	3,06

45	-25	994	794	4,40	1,25	1,08
45	-20	1.357	911	4,91	1,49	1,29
45	-15	1.774	1.024	5,41	1,73	1,50
45	-10	2.244	1.133	5,89	1,98	1,71
45	-5	2.768	1.238	6,36	2,24	1,93
45	0	3.346	1.340	6,81	2,50	2,16
45	5	3.977	1.438	7,25	2,76	2,39
45	7,2	4.271	1.480	7,44	2,89	2,49
45	10	4.661	1.533	7,67	3,04	2,63

50	-25	833	774	4,31	1,08	0,93
50	-20	1.155	906	4,89	1,27	1,10
50	-15	1.531	1.035	5,46	1,48	1,28
50	-10	1.961	1.160	6,01	1,69	1,46
50	-5	2.444	1.281	6,55	1,91	1,65
50	0	2.980	1.398	7,07	2,13	1,84
50	5	3.570	1.512	7,58	2,36	2,04
50	7,2	3.847	1.561	7,80	2,46	2,13
50	10	4.214	1.622	8,07	2,60	2,24

55	-25	671	754	4,22	0,89	0,77
55	-20	953	902	4,87	1,06	0,91
55	-15	1.288	1.046	5,51	1,23	1,06
55	-10	1.677	1.186	6,13	1,41	1,22
55	-5	2.119	1.323	6,74	1,60	1,38
55	0	2.615	1.456	7,33	1,80	1,55
55	5	3.164	1.586	7,91	2,00	1,72
55	7,2	3.423	1.641	8,16	2,09	1,80
55	10	3.767	1.712	8,47	2,20	1,90

60	-25	510	734	4,13	0,69	0,60
60	-20	751	897	4,85	0,84	0,72
60	-15	1.045	1.057	5,56	0,99	0,85
60	-10	1.393	1.213	6,25	1,15	0,99
60	-5	1.795	1.366	6,93	1,31	1,14
60	0	2.250	1.514	7,59	1,49	1,28
60	5	2.758	1.659	8,24	1,66	1,44
60	7,2	2.999	1.722	8,51	1,74	1,50
60	10	3.320	1.801	8,87	1,84	1,59

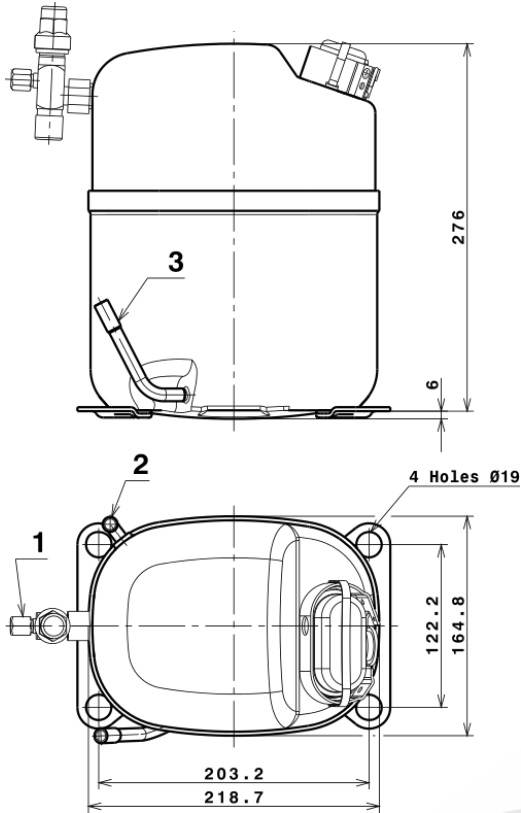
EN12900

X	Cooling Capacity (W)	Consumption (W)	Current (A)	Mass Flow (kg/h)
1	6.626,4288474050	839,8836887440	4,5855895344	133,47312935514
2	194,5149962537	-7,8079139396	-0,0346664307	4,3140542610751
3	-75,3749434503	12,0264425796	0,0535671105	-0,76599232008228
4	1,0132065474	-0,0580428073	-0,0002429642	0,047753076065262
5	-1,7353418606	0,6458090075	0,0028713524	-0,0062323783512773

Equation	$x_1 + x_2Te + x_3Tc + x_4Te^2 + x_5TeTc$
----------	---

Technical Data Sheet

COMPRESSOR DIMENSIONS

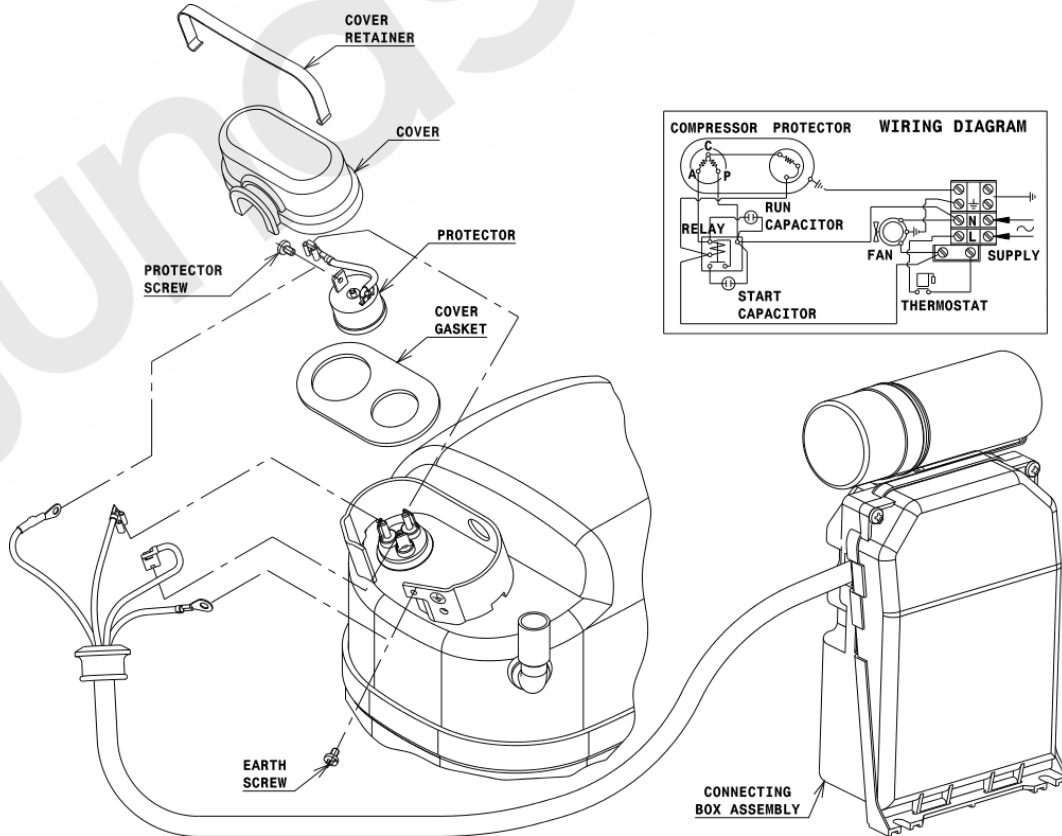


DESIGNATION INTERNAL DIAM.

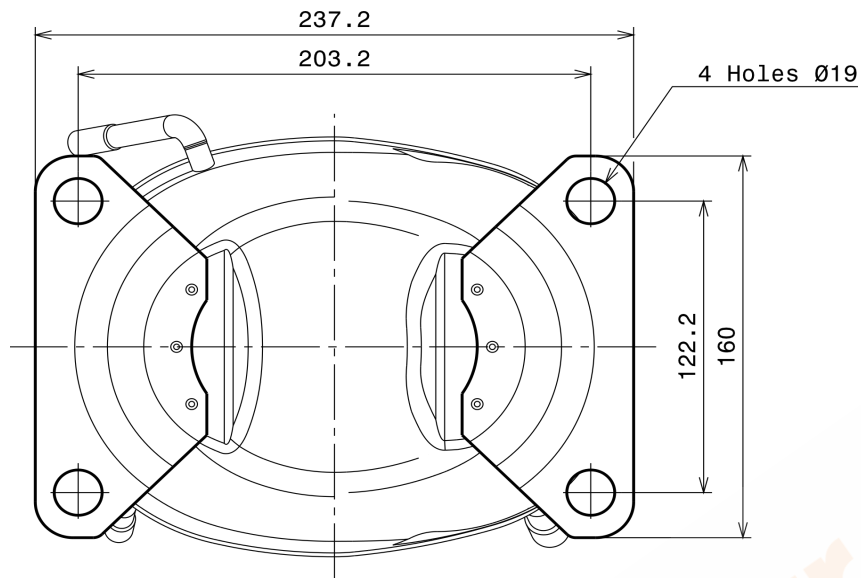
1	Service Valve	5/8" SAE
2	Service	9,7 mm
3	Discharge	8,0 mm

WIRING DIAGRAMS AND ELECTRICAL ASSEMBLY

CSR CONNECTION (EXTERNAL CONNECTING BOX) (S range)



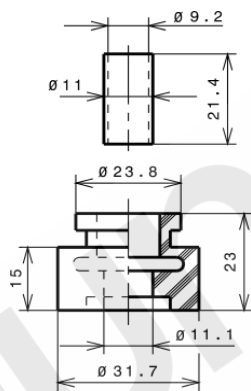
FIXINGS



SILENT BLOCKS (MOUNTING ACCESSORIES)

STANDARD

Ø19 holes (203.2x122.2 net)



SOA

SOA R404A HMBP

