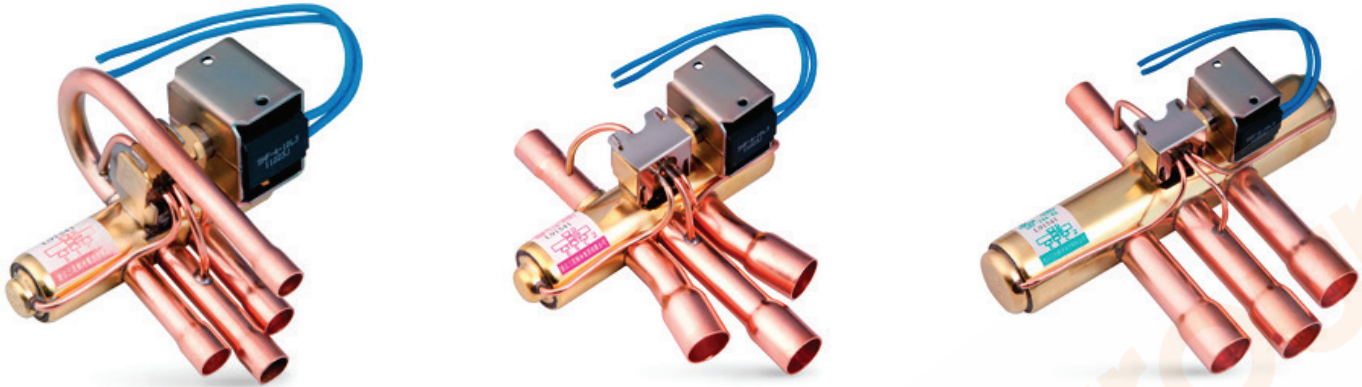

PRODUCT DATA

SHF SERIES | 4 Way Reversing Valve



SHF series four-way reversing valves are applicable for heat pump systems such as central, unitary and room air conditioners to realize switching between cooling mode and heating mode by changing the flow path of refrigerant.

FEATURES

- WIDE APPLICATION RANGE
- SUITABLE FOR COOLING CAPACITIES FROM 1 TO 120 TONS, R-410A
- SEVERAL DESIGNS AVAILABLE

GENERAL SPECIFICATION

- Applicable for all common HCFC and HFC refrigerants such as: R-22, R-134a, R-404A, R-407C, R-410A, R-507
- Applicable ambient temperatures: -22°F to +275°F*
- Fluid temperature range: -22°F to +122°F/175°F (Depending upon coil used)
- Relative Humidity: 0 to 95% RH
- Maximum operating pressure: 650 psig
- Installation Position:
 - Coil upwards or with body axis in horizontal alignment
 - Flow direction according to installation instruction
- Certifications: UL/CSA listed and declaration according to LVD or PED

PRODUCT DATA

SHF SERIES | 4 Way Reversing Valve

GENERAL CHARACTERISTICS

Valve Model	Part Number	Ø Port	Cv	Connection ODF		MOP	OPD	
				ØD	ØE/S/C		Max.	Min.
		(mm)		(in)	(in)	(psig)	(psi)	(psi)
SHF(L)-3H-12U-51	SHF-19007	7.4	1.7	1/4	5/16	650	580	35
SHF(L)-4H-23U-51	SHF-19008	8.0	1.8	5/16	3/8	650	580	35
SHF(G)-7C-34U	SHF-19009	11.1	3.4	3/8	1/2	650	580	35
SHF(G)-7C-34	SHF-19010	11.1	3.4	3/8	1/2	650	580	35
SHF(L)-7H-35-51	SHF-19011	11.1	3.4	3/8	5/8	650	580	35
SHF(G)-11C-34U	SHF-19012	11.5	4.5	3/8	1/2	650	580	35
SHF(L)-11H-35U-51	SHF-19013	11.5	5.2	3/8	5/8	650	580	44
SHF(L)-11H-45D1-51	SHF-19014	11.5	5.2	1/2	5/8	650	580	44
SHF(L)-11H-46D1-51	SHF-19015	11.5	5.2	1/2	3/4	650	580	44
SHF-14A-46	SHF-50033	13.5	7.6	1/2	3/4	650	580	44
SHF-20D-46-02	SHF-50022	17.2	11.0	1/2	3/4	650	580	44
SHF-20D-47-02	SHF-50041	17.2	11.4	1/2	7/8	650	580	44
SHF-20D-57-02	SHF-50042	17.2	11.4	5/8	7/8	650	580	44
SHF-20D-67-02	SHF-50043	17.2	11.4	3/4	7/8	650	580	44
SHF-35B-47-04	SHF-50044	20.0	17.0	1/2	7/8	650	580	44
SHF-35B-57-04	SHF-50045	20.0	17.0	5/8	7/8	650	580	44
SHF-35B-59-04	SHF-50046	20.0	17.0	5/8	1-1/8	650	580	44
SHF-35B-67-04	SHF-50027	20.0	17.0	3/4	7/8	650	580	44
SHF-35B-69-04	SHF-50047	20.9	17.0	3/4	1-1/8	650	580	44
SHF-35B-79-04	SHF-50048	20.9	17.0	7/8	1-1/8	650	580	44
SHF-50A-79	SHF-50038	22.8	21.2	7/8	1-1/8	650	580	44
SHF-50-911D2	SHF-50016	25.6	21.4	1-1/8	1-3/8	650	450	44
SHF(L)-70-810	SHF-50017	28.6	32.9	1	1-1/4	650	580	44
SHF(L)-70-810-01	SHF-50024	28.6	32.9	1	1-1/4	650	580	44
SHF(L)-70-911	SHF-50049	28.6	32.9	1-1/8	1-3/8	650	580	44
SHF(L)-70-911-01	SHF-50050	28.6	32.9	1-1/8	1-3/8	650	580	44
SHF(L)-70-913-05	SHF-50052	28.6	32.9	1-1/8	1-5/8	650	580	44
SHF(L)-70-913-03	SHF-50051	28.6	32.9	1-1/8	1-5/8	650	580	44
SHF(L)-100-911	SHF-50053	34.8	46.8	1-1/8	1-3/8	650	580	44
SHF(L)-100-911-01	SHF-50054	34.8	46.8	1-1/8	1-3/8	650	580	44
SHF(L)-100-913	SHF-50055	34.8	46.8	1-1/8	1-5/8	650	580	44
SHF(L)-100-913-01	SHF-50056	34.8	46.8	1-1/8	1-5/8	650	580	44
SHF(L)-100-1012	SHF-50018	34.8	46.8	1-1/4	1-1/2	650	580	44
SHF(L)-100-1012-01	SHF-50025	34.8	46.8	1-1/4	1-1/2	650	580	44
SHF(L)-100-1013	SHF-50057	34.8	46.8	1-1/4	1-5/8	650	580	44
SHF(L)-100-1013-01	SHF-50058	34.8	46.8	1-1/4	1-5/8	650	580	44

PRODUCT DATA

SHF SERIES | 4 Way Reversing Valve

GENERAL CHARACTERISTICS

Valve Model	Part Number	Ø Port	Cv	Connection ODF		MOP	OPD	
				ØD	ØE/S/C		Max.	Min.
		(mm)		(in)	(in)	(psig)	(psi)	(psi)
SHF(L)-140-1113	SHF-50059	41	67.5	1-3/8	1-5/8	650	580	44
SHF(L)-140-1213	SHF-50060	41	67.5	1-1/2	1-5/8	650	580	44
SHF(L)-140-1214	SHF-50019	41	67.5	1-1/2	1-3/4	650	580	44
SHF(L)-140-1313	SHF-50061	41	67.5	1-5/8	1-5/8	650	580	44
SHF(L)-175-1217	SHF-50020	46.4	81.5	1-1/2	2-1/8	650	580	44
SHF(L)-175-1317	SHF-50062	46.4	81.5	1-5/8	2-1/8	650	580	44
SHF(L)-210-1321	SHF-50021	50	97.6	1-5/8	2-5/8	650	580	44
SHF(L)-350-1721	SHF-50031	59	160	2-1/8	2-5/8	650	580	44
SHF(L)-420-2125	SHF-50032	69	205	2-5/8	3-1/8	650	580	44

Nominal Operating Conditions

Nominal Operating Conditions	Condition 1	Condition 2
Condensing Temperature t_c	100°F	130°F
Evaporating Temperature t_o	41°F	45°F
Superheat Δt_{sh}	9°F	9°F
Subcooling Δt_{sc}	0°F	9°F

Notes for Capacity Selection Tables:

1. Pressure drop is valid for flow from ØC to ØS or from ØE to ØS
2. R407C data based on dew point conditions

PRODUCT DATA

SHF SERIES | 4 Way Reversing Valve

CAPACITY SELECTION TABLE CONDITION 1

Capacity Selection Table									
Valve Model	Product Number	Nominal Cooling Capacity (condition 1)							
		R-407C ²⁾		R-410A		R-134a		R-404A / R-507	
		$\Delta P: 1.45 \text{ psi}$	$\Delta P: 2.90 \text{ psi}$	$\Delta P: 1.45 \text{ psi}$	$\Delta P: 2.90 \text{ psi}$	$\Delta P: 1.45 \text{ psi}$	$\Delta P: 2.90 \text{ psi}$	$\Delta P: 1.45 \text{ psi}$	$\Delta P: 2.90 \text{ psi}$
		(tons)	(tons)	(tons)	(tons)	(tons)	(tons)	(tons)	(tons)
SHF(L)-3H-12U-51	SHF-19007	0.94	1.34	1.14	1.62	0.74	1.05	0.82	1.14
SHF(L)-4H-23U-51	SHF-19008	1.02	1.42	1.22	1.73	0.80	1.14	0.88	1.22
SHF(G)-7C-34U	SHF-19009	1.85	2.59	2.22	3.13	1.45	2.05	1.56	2.22
SHF(G)-7C-34	SHF-19010	1.85	2.59	2.22	3.13	1.45	2.05	1.56	2.22
SHF(L)-7H-35-51	SHF-19011	1.85	2.59	2.22	3.13	1.45	2.05	1.56	2.22
SHF(G)-11C-34U	SHF-19012	2.47	3.50	2.99	4.21	1.93	2.73	2.10	2.99
SHF(L)-11H-35U-51	SHF-19013	2.84	4.04	3.44	4.86	2.25	3.16	2.45	3.44
SHF(L)-11H-45D1-51	SHF-19014	2.84	4.04	3.44	4.86	2.25	3.16	2.45	3.44
SHF(L)-11H-46D1-51	SHF-19015	2.84	4.04	3.44	4.86	2.25	3.16	2.45	3.44
SHF-14A-46	SHF-50033	4.18	5.91	5.03	7.14	3.27	4.63	3.58	5.06
SHF-20D-46-02	SHF-50022	6.03	8.50	7.25	10.3	4.72	6.68	5.15	7.28
SHF-20D-47-02	SHF-50041	6.28	8.87	7.56	10.7	4.92	6.97	5.37	7.59
SHF-20D-57-02	SHF-50042	6.28	8.87	7.56	10.7	4.92	6.97	5.37	7.59
SHF-20D-67-02	SHF-50043	6.28	8.87	7.56	10.7	4.92	6.97	5.37	7.59
SHF-35B-47-04	SHF-50044	9.30	13.2	11.2	15.9	7.31	10.3	7.99	11.3
SHF-35B-57-04	SHF-50045	9.30	13.2	11.2	15.9	7.31	10.3	7.99	11.3
SHF-35B-59-04	SHF-50046	9.30	13.2	11.2	15.9	7.31	10.3	7.99	11.3
SHF-35B-67-04	SHF-50027	9.30	13.2	11.2	15.9	7.31	10.3	7.99	11.3
SHF-35B-69-04	SHF-50047	9.30	13.2	11.2	15.9	7.31	10.3	7.99	11.3
SHF-35B-79-04	SHF-50048	9.30	13.2	11.2	15.9	7.31	10.3	7.99	11.3
SHF-50A-79	SHF-50038	11.6	16.4	14.0	19.8	9.10	12.9	9.92	14.1
SHF-50-911D2	SHF-50016	11.7	16.6	14.2	20.0	9.18	13.0	10.0	14.2
SHF(L)-70-810	SHF-50017	18.1	25.5	21.8	30.8	14.2	20.0	15.5	21.9
SHF(L)-70-810-01	SHF-50024	18.1	25.5	21.8	30.8	14.2	20.0	15.5	21.9
SHF(L)-70-911	SHF-50049	18.1	25.5	21.8	30.8	14.2	20.0	15.5	21.9
SHF(L)-70-911-01	SHF-50050	18.1	25.5	21.8	30.8	14.2	20.0	15.5	21.9
SHF(L)-70-913-05	SHF-50052	18.1	25.5	21.8	30.8	14.2	20.0	15.5	21.9
SHF(L)-70-913-03	SHF-50051	18.1	25.5	21.8	30.8	14.2	20.0	15.5	21.9
SHF(L)-100-911	SHF-50053	25.7	36.3	31.0	43.8	20.1	28.5	22.0	31.1
SHF(L)-100-911-01	SHF-50054	25.7	36.3	31.0	43.8	20.1	28.5	22.0	31.1
SHF(L)-100-913	SHF-50055	25.7	36.3	31.0	43.8	20.1	28.5	22.0	31.1
SHF(L)-100-913-01	SHF-50056	25.7	36.3	31.0	43.8	20.1	28.5	22.0	31.1
SHF(L)-100-1012	SHF-50018	25.7	36.3	31.0	43.8	20.1	28.5	22.0	31.1
SHF(L)-100-1012-01	SHF-50025	25.7	36.3	31.0	43.8	20.1	28.5	22.0	31.1
SHF(L)-100-1013	SHF-50057	25.7	36.3	31.0	43.8	20.1	28.5	22.0	31.1
SHF(L)-100-1013-01	SHF-50058	25.7	36.3	31.0	43.8	20.1	28.5	22.0	31.1
SHF(L)-140-1113	SHF-50059	37.0	52.3	44.7	63.2	29.0	41.0	31.7	44.8

PRODUCT DATA

SHF SERIES | 4 Way Reversing Valve Continued

CAPACITY SELECTION TABLE CONDITION 1 Continued

Capacity Selection Table									
Valve Model	Product Number	Nominal Cooling Capacity (condition 1)							
		R-407C ²⁾		R-410A		R-134a		R-404A / R-507	
		$\Delta P: 1.45 \text{ psi}$	$\Delta P: 2.90 \text{ psi}$	$\Delta P: 1.45 \text{ psi}$	$\Delta P: 2.90 \text{ psi}$	$\Delta P: 1.45 \text{ psi}$	$\Delta P: 2.90 \text{ psi}$	$\Delta P: 1.45 \text{ psi}$	$\Delta P: 2.90 \text{ psi}$
		(tons)	(tons)	(tons)	(tons)	(tons)	(tons)	(tons)	(tons)
SHF(L)-140-1213	SHF-50060	37.0	52.3	44.7	63.2	29.0	41.0	31.7	44.8
SHF(L)-140-1214	SHF-50019	37.0	52.3	44.7	63.2	29.0	41.0	31.7	44.8
SHF(L)-140-1313	SHF-50061	37.0	52.3	44.7	63.2	29.0	41.0	31.7	44.8
SHF(L)-175-1217	SHF-50020	44.6	63.2	53.9	76.2	35.0	49.5	38.3	54.1
SHF(L)-175-1317	SHF-50062	44.6	63.2	53.9	76.2	35.0	49.5	38.3	54.1
SHF(L)-210-1321	SHF-50021	53.5	75.6	64.6	91.3	41.9	59.3	45.8	64.8
SHF(L)-350-1721	SHF-50031	87.7	124	106	150	68.8	97.3	75.1	106
SHF(L)-420-2125	SHF-50032	112	159	135	191	88.0	124	96.1	136

CAPACITY SELECTION TABLE CONDITION 2

Capacity Selection Table									
Valve Model	Product Number	Nominal Cooling Capacity (condition 2)							
		R-407C ²⁾		R-410A		R-134a		R-404A / R-507	
		$\Delta P: 1.45 \text{ psi}$	$\Delta P: 2.90 \text{ psi}$	$\Delta P: 1.45 \text{ psi}$	$\Delta P: 2.90 \text{ psi}$	$\Delta P: 1.45 \text{ psi}$	$\Delta P: 2.90 \text{ psi}$	$\Delta P: 1.45 \text{ psi}$	$\Delta P: 2.90 \text{ psi}$
		(tons)	(tons)	(tons)	(tons)	(tons)	(tons)	(tons)	(tons)
SHF(L)-3H-12U-51	SHF-19007	0.85	1.22	1.02	1.42	0.68	0.97	0.68	0.97
SHF(L)-4H-23U-51	SHF-19008	0.91	1.31	1.08	1.54	0.74	1.05	0.74	1.05
SHF(G)-7C-34U	SHF-19009	1.68	2.36	1.96	2.76	1.34	1.88	1.34	1.88
SHF(G)-7C-34	SHF-19010	1.68	2.36	1.96	2.76	1.34	1.88	1.34	1.88
SHF(L)-7H-35-51	SHF-19011	1.68	2.36	1.96	2.76	1.34	1.88	1.34	1.88
SHF(G)-11C-34U	SHF-19012	2.25	3.18	2.64	3.72	1.79	2.53	1.79	2.53
SHF(L)-11H-35U-51	SHF-19013	2.59	3.67	3.04	4.29	2.08	2.93	2.08	2.93
SHF(L)-11H-45D1-51	SHF-19014	2.59	3.67	3.04	4.29	2.08	2.93	2.08	2.93
SHF(L)-11H-46D1-51	SHF-19015	2.59	3.67	3.04	4.29	2.08	2.93	2.08	2.93
SHF-14A-46	SHF-50033	3.81	5.37	4.46	6.31	3.04	4.29	3.04	4.29
SHF-20D-46-02	SHF-50022	5.49	7.76	6.40	9.07	4.38	6.17	4.38	6.17
SHF-20D-47-02	SHF-50041	5.72	8.08	6.68	9.44	4.55	6.45	4.55	6.43
SHF-20D-57-02	SHF-50042	5.72	8.08	6.68	9.44	4.55	6.45	4.55	6.43
SHF-20D-67-02	SHF-50043	5.72	8.08	6.68	9.44	4.55	6.45	4.55	6.43
SHF-35B-47-04	SHF-50044	8.47	12.0	9.92	14.0	6.77	9.58	6.77	9.55
SHF-35B-57-04	SHF-50045	8.47	12.0	9.92	14.0	6.77	9.58	6.77	9.55
SHF-35B-59-04	SHF-50046	8.47	12.0	9.92	14.0	6.77	9.58	6.77	9.55
SHF-35B-67-04	SHF-50027	8.47	12.0	9.92	14.0	6.77	9.58	6.77	9.55
SHF-35B-69-04	SHF-50047	8.47	12.0	9.92	14.0	6.77	9.58	6.77	9.55
SHF-35B-79-04	SHF-50048	8.47	12.0	9.92	14.0	6.77	9.58	6.77	9.55
SHF-50A-79	SHF-50038	10.6	14.9	12.3	17.5	8.42	11.9	8.42	11.9
SHF-50-911D2	SHF-50016	10.7	15.1	12.5	17.7	8.50	12.1	8.50	12.0

PRODUCT DATA

SHF SERIES | 4 Way Reversing Valve Continued

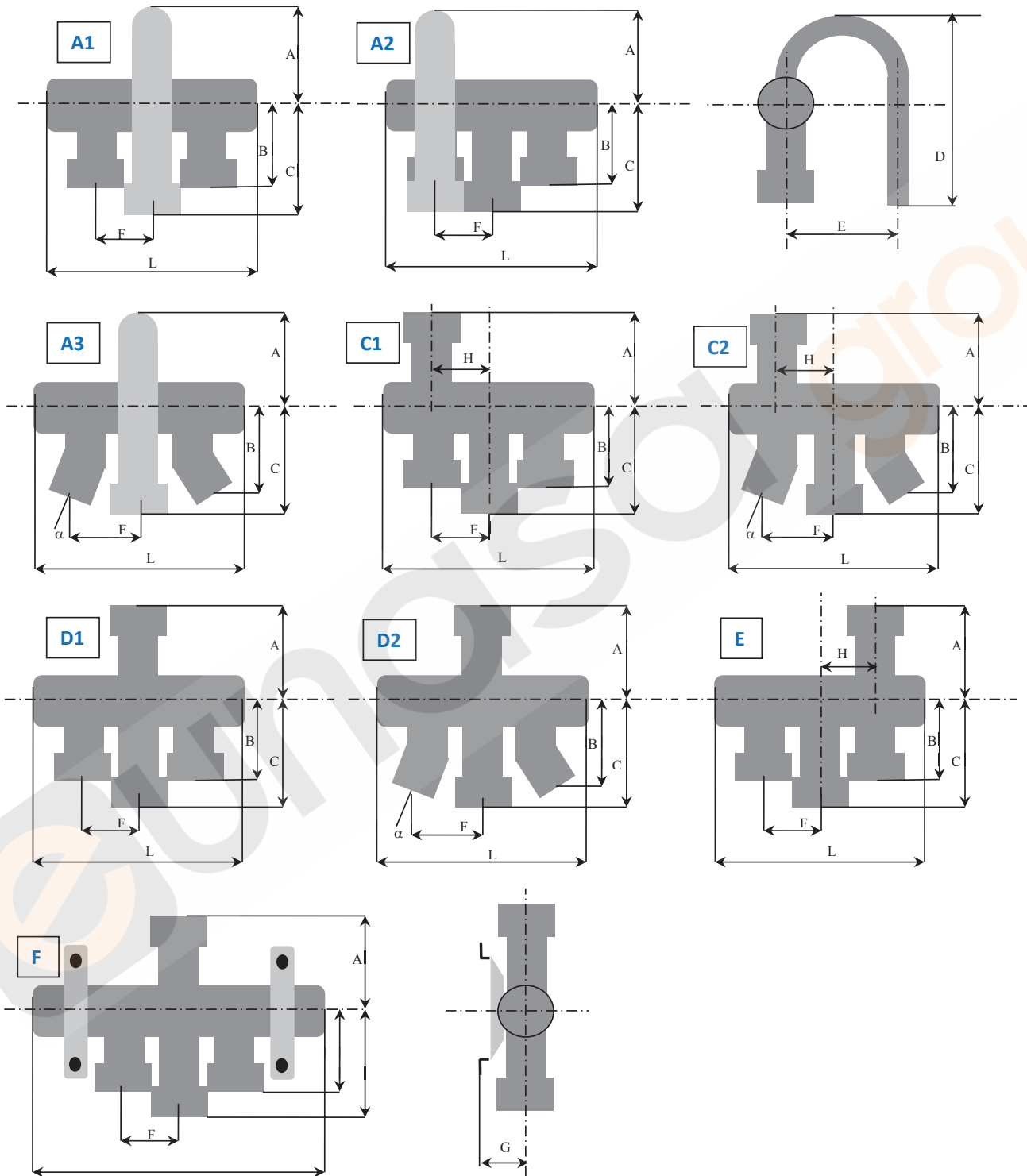
CAPACITY SELECTION TABLE CONDITION 2 Continued

Capacity Selection Table									
Valve Model	Product Number	Nominal Cooling Capacity (condition 2)							
		R-407C ²⁾		R-410A		R-134a		R-404A / R-507	
		$\Delta P: 1.45 \text{ psi}$	$\Delta P: 2.90 \text{ psi}$	$\Delta P: 1.45 \text{ psi}$	$\Delta P: 2.90 \text{ psi}$	$\Delta P: 1.45 \text{ psi}$	$\Delta P: 2.90 \text{ psi}$	$\Delta P: 1.45 \text{ psi}$	$\Delta P: 2.90 \text{ psi}$
		(tons)	(tons)	(tons)	(tons)	(tons)	(tons)	(tons)	(tons)
SHF(L)-70-810	SHF-50017	16.4	23.3	19.2	27.2	13.1	18.5	13.1	18.5
SHF(L)-70-810-01	SHF-50024	16.4	23.3	19.2	27.2	13.1	18.5	13.1	18.5
SHF(L)-70-911	SHF-50049	16.4	23.3	19.2	27.2	13.1	18.5	13.1	18.5
SHF(L)-70-911-01	SHF-50050	16.4	23.3	19.2	27.2	13.1	18.5	13.1	18.5
SHF(L)-70-913-05	SHF-50052	16.4	23.3	19.2	27.2	13.1	18.5	13.1	18.5
SHF(L)-70-913-03	SHF-50051	16.4	23.3	19.2	27.2	13.1	18.5	13.1	18.5
SHF(L)-100-911	SHF-50053	23.4	33.0	27.3	38.7	18.7	26.4	18.6	26.3
SHF(L)-100-911-01	SHF-50054	23.4	33.0	27.3	38.7	18.7	26.4	18.6	26.3
SHF(L)-100-913	SHF-50055	23.4	33.0	27.3	38.7	18.7	26.4	18.6	26.3
SHF(L)-100-913-01	SHF-50056	23.4	33.0	27.3	38.7	18.7	26.4	18.6	26.3
SHF(L)-100-1012	SHF-50018	23.4	33.0	27.3	38.7	18.7	26.4	18.6	26.3
SHF(L)-100-1012-01	SHF-50025	23.4	33.0	27.3	38.7	18.7	26.4	18.6	26.3
SHF(L)-100-1013	SHF-50057	23.4	33.0	27.3	38.7	18.7	26.4	18.6	26.3
SHF(L)-100-1013-01	SHF-50058	23.4	33.0	27.3	38.7	18.7	26.4	18.6	26.3
SHF(L)-140-1113	SHF-50059	33.7	47.6	39.4	55.7	26.9	38.0	26.8	38.0
SHF(L)-140-1213	SHF-50060	33.7	47.6	39.4	55.7	26.9	38.0	26.8	38.0
SHF(L)-140-1214	SHF-50019	33.7	47.6	39.4	55.7	26.9	38.0	26.8	38.0
SHF(L)-140-1313	SHF-50061	33.7	47.6	39.4	55.7	26.9	38.0	26.8	38.0
SHF(L)-175-1217	SHF-50020	40.7	57.5	47.6	67.3	32.4	45.9	32.4	45.8
SHF(L)-175-1317	SHF-50062	40.7	57.5	47.6	67.3	32.4	45.9	32.4	45.8
SHF(L)-210-1321	SHF-50021	48.7	68.8	57.0	80.6	38.8	54.9	38.8	54.9
SHF(L)-350-1721	SHF-50031	79.8	113	93.4	132	63.7	90.1	63.6	90.0
SHF(L)-420-2125	SHF-50032	102	144	119	169	81.5	115	81.4	115

PRODUCT DATA

SHF SERIES | 4 Way Reversing Valve

DIMENSIONS - VALVES



PRODUCT DATA

SHF SERIES | 4 Way Reversing Valve

DIMENSIONS - VALVES

Dimensions - Valves													
Valve Model	Product Number	Valve Style	L	A	B	C	D	E	F	G	H	Angle	Weight
			(in)	(in)	(in)	(in)	(in)	(in)	(in)	(in)	(in)	(°)	(lb)
SHF(L)-3H-12U-51	SHF-19007	A1	3.47	1.52	1.50	1.97	3.48	1.69	0.43	-	-	0	0.44
SHF(L)-4H-23U-51	SHF-19008	A1	3.72	1.69	1.97	2.44	4.13	1.69	0.47	-	-	0	0.44
SHF(G)-7C-34U	SHF-19009	A2	4.47	1.89	2.32	2.80	4.69	2.05	0.63	-	-	0	0.62
SHF(G)-7C-34	SHF-19010	C1	4.47	2.01	2.32	2.80	-	-	0.63	-	-	0	0.62
SHF(L)-7H-35-51	SHF-19011	D2	4.45	2.05	2.24	2.83	-	-	0.93	-	0.63	0	0.66
SHF(G)-11C-34U	SHF-19012	A2	4.47	2.01	2.32	2.80	4.69	2.05	0.63	-	-	0	0.66
SHF(L)-11H-35U-51	SHF-19013	A3	4.55	2.01	2.24	2.80	4.69	2.05	0.93	-	-	15	0.66
SHF(L)-11H-45D1-51	SHF-19014	C2	4.61	2.05	2.44	3.43	-	-	0.98	-	0.63	15	0.71
SHF(L)-11H-46D1-51	SHF-19015	C2	4.61	2.05	3.23	3.43	-	-	1.28	-	0.63	20	0.77
SHF-14A-46	SHF-50033	D1	6.42	2.64	3.27	3.74	-	-	0.94	-	-	0	1.59
SHF-20D-46-02	SHF-50022	D1	7.23	2.64	3.27	3.74	-	-	1.13	-	-	0	1.65
SHF-20D-47-02	SHF-50041	D1	7.23	2.64	3.27	3.74	-	-	1.13	-	-	0	1.65
SHF-20D-57-02	SHF-50042	D1	7.23	2.64	3.27	3.74	-	-	1.13	-	-	0	1.65
SHF-20D-67-02	SHF-50043	D1	7.23	2.64	3.27	3.74	-	-	1.13	-	-	0	1.65
SHF-35B-47-04	SHF-50044	D1	8.35	3.23	3.43	3.94	-	-	1.30	-	-	0	2.87
SHF-35B-57-04	SHF-50045	D1	8.35	3.23	3.43	3.94	-	-	1.30	-	-	0	2.87
SHF-35B-59-04	SHF-50046	D1	8.35	3.23	3.43	3.94	-	-	1.30	-	-	0	2.87
SHF-35B-67-04	SHF-50027	D1	8.35	3.23	3.43	3.94	-	-	1.30	-	-	0	2.87
SHF-35B-69-04	SHF-50047	D1	8.35	3.23	3.43	3.94	-	-	1.30	-	-	0	2.87
SHF-35B-79-04	SHF-50048	D1	8.35	3.23	3.43	3.94	-	-	1.30	-	-	0	2.87
SHF-50A-79	SHF-50038	D1	8.54	3.58	3.78	5.04	-	-	1.30	-	-	0	4.63
SHF-50-911D2	SHF-50016	E	10.6	3.82	5.87	6.85	-	-	1.63	-	1.63	0	4.63
SHF(L)-70-810	SHF-50017	D1	11.9	4.37	4.61	5.16	-	-	1.81	-	-	0	6.61
SHF(L)-70-810-01	SHF-50024	F	11.9	4.37	4.61	6.06	-	-	1.81	2.28	-	0	6.61
SHF(L)-70-911	SHF-50049	D1	11.9	4.37	4.61	5.16	-	-	1.81	-	-	0	6.61
SHF(L)-70-911-01	SHF-50050	F	12.6	4.37	4.61	5.16	-	-	1.93	2.28	-	0	7.72
SHF(L)-70-913-05	SHF-50052	D1	12.6	4.37	4.61	5.16	-	-	1.93	-	-	0	7.72
SHF(L)-70-913-03	SHF-50051	F	12.6	4.37	4.61	5.16	-	-	1.93	2.28	-	0	7.72
SHF(L)-100-911	SHF-50053	D1	12.6	4.37	4.61	5.16	-	-	1.93	-	-	0	7.72
SHF(L)-100-911-01	SHF-50054	F	11.9	4.37	4.61	5.16	-	-	1.81	2.28	-	0	6.61
SHF(L)-100-913	SHF-50055	D1	11.9	4.37	4.61	6.06	-	-	1.81	-	-	0	6.61
SHF(L)-100-913-01	SHF-50056	F	11.9	4.37	4.61	6.06	-	-	1.81	2.28	-	0	6.61
SHF(L)-100-1012	SHF-50018	D1	12.6	4.37	4.61	5.16	-	-	1.93	-	-	0	7.72
SHF(L)-100-1012-01	SHF-50025	F	12.6	4.37	4.61	5.16	-	-	1.93	2.28	-	0	7.72
SHF(L)-100-1013	SHF-50057	D1	12.6	4.37	4.61	5.16	-	-	1.93	-	-	0	7.72
SHF(L)-100-1013-01	SHF-50058	F	12.6	4.37	4.61	5.16	-	-	1.93	2.28	-	0	7.72
SHF(L)-140-1113	SHF-50059	F	15.4	5.34	5.85	6.64	-	-	2.28	2.48	-	0	15.9
SHF(L)-140-1213	SHF-50060	F	15.4	5.34	5.85	6.64	-	-	2.28	2.48	-	0	15.9
SHF(L)-140-1214	SHF-50019	F	15.4	5.34	5.85	6.64	-	-	2.28	2.48	-	0	15.9

PRODUCT DATA

SHF SERIES | 4 Way Reversing Valve

DIMENSIONS - VALVES Continued

Dimensions - Valves													
Valve Model	Product Number	Valve Style	L	A	B	C	D	E	F	G	H	Angle	Weight
			(in)	(in)	(in)	(in)	(in)	(in)	(in)	(in)	(in)	(in)	(°)
SHF(L)-140-1313	SHF-50061	F	15.4	5.34	5.85	6.64	-	-	2.28	2.48	-	0	15.9
SHF(L)-175-1217	SHF-50020	F	15.4	5.34	5.85	7.80	-	-	2.28	2.48	-	0	16.8
SHF(L)-175-1317	SHF-50062	F	15.4	5.34	5.85	7.80	-	-	2.28	2.48	-	0	16.8
SHF(L)-210-1321	SHF-50021	F	17.8	5.34	5.85	7.80	-	-	2.81	2.48	-	0	19.2
SHF(L)-350-1721	SHF-50031	F	20.9	6.95	7.24	9.45	-	-	2.95	3.25	-	0	48.5
SHF(L)-420-2125	SHF-50032	F	24.1	6.95	7.24	9.45	-	-	3.66	3.25	-	0	57.3

DIMENSIONS - COILS

Coil Characteristics												
Coil Model ¹⁾	Winding Code	Product Number	Electrical Function / Connection Type	Cable Length (in)	Power Supply (-)	Rated Voltage (V)	Power Consumption			Protection Class (-)	Insulation Class (-)	Max. Op. Temp. (°F)
							AC	AC	DC			
							50Hz (W)	60Hz (W)	(W)			
SQ-A25 22G-00 0001	SHF-4-10L3	SHF-56001	Lead Wires	20	AC	220-240	4.5	3.5	-	IP54	B ²⁾	266
SQ-A25 200-00 0001	SHF-4-10L2	SHF-56002	Lead Wires	20	AC	200	4.5	3.5	-			
SQ-A25 100-00 0001	SHF-4-10L1	SHF-56003	Lead Wires	20	AC	100	4.5	3.5	-			
SQ-A25 11A-00 0001	SHF-4-10L4	SHF-56004	Lead Wires	20	AC	110-120	4.5	3.5	-			
SQ-A25 024-00 0001	SHF-4-10L5	SHF-56005	Lead Wires	20	AC	24	4.5	3.5	-			
SQ-A25 26H-00 0001	SHF-4-10L6	SHF-56006	Lead Wires	20	AC	265-277	4.5	3.5	-			
SQ-A25 22G-00 0870	SHF-4-10L3	SHF-56024	Lead Wires	60	AC	220-240	4.5	3.5	-			
SQ-A25 11A-00 0840	SHF-4-10L4	SHF-56025	Lead Wires	60	AC	110-120	4.5	3.5	-			
SQ-A25 024-00 0161	SHF-4-10L5	SHF-56009	Lead Wires	60	AC	24	4.5	3.5	-			
SQ-A44 22G-00 0771	SHF-4-10FA5	SHF-56012	Spade ⁴⁾	-	AC	220-240	6	5	-			
SQ-A44 220-00 0001	SHF-4-10FA1	SHF-56013	Spade ⁴⁾	-	AC	220	6	5	-			
SQ-A44 11B-00 0001	SHF-4-10FA2	SHF-56014	Spade ⁴⁾	-	AC	120	6	5	-			
SQ-A44 10A-00 0001	SHF-4-10FA3	SHF-56015	Spade ⁴⁾	-	AC	100-110	6	5	-			
SQ-A44 024-00 0771	SHF-4-10FA4	SHF-56016	Spade ⁴⁾	-	AC	24	6	5	-			
SQ-A44 26H-00 0831	SHF-4-10FA6	SHF-56017	Spade ⁴⁾	-	AC	265-277	6	5	-			
SQ-D44 012-00 0001	SHF-4-10FA8	SHF-56019	Spade ⁴⁾	-	DC	12	-	-	10			
SQ-D44 024-00 0001	SHF-4-10FA9	SHF-56020	Spade ⁴⁾	-	DC	24	-	-	11			
SQ-A27 100-00 0001	-	SHF-56021	Bi-stable/Lead W.	20	AC	100	18	18	-	IP54	B ²⁾	266
SQ-A27 200-00 0001	-	SHF-56022	Bi-stable/Lead W.	20	AC	200	18	18	-			
SQ-A27 20K-00 0001	-	SHF-56027	Bi-stable/Lead W.	20	AC	220-240	18	18	-			
SQ-D27 012-00 0001	-	SHF-56023	Bi-stable/Lead W.	20	DC	12	-	-	20			

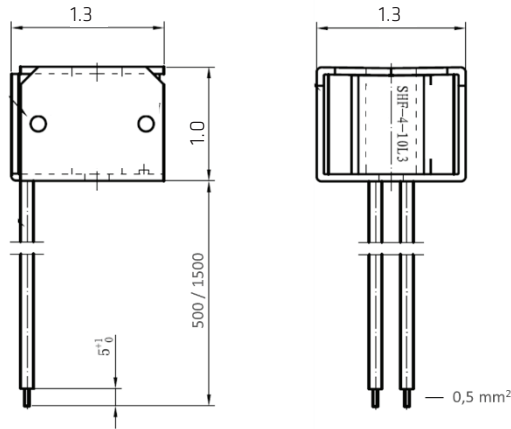
- Note:
- Every coil is applicable to all above specified valve models
 - Max ambient temperature up to + 122°F
 - Max ambient temperature up to + 158°F
 - Wire Harness for coil with Faston connector:
SQ-000000-090028 (Part Number: SHF-56026)
 - Bi-stable coils (SQ-A27 series) cannot be selected with the following valves:
 - SHF(G)-7C-34U (P/N: SHF-19009)
 - SHF(G)-7C-34 (P/N: SHF-19010)
 - SHF(G)-11C-34U (P/N: SHF-19012)

PRODUCT DATA

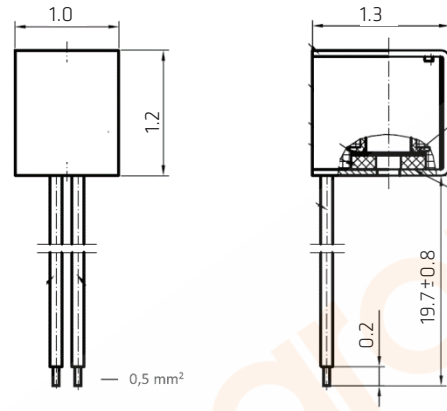
SHF SERIES | 4 Way Reversing Valve

DIMENSIONS - Coils

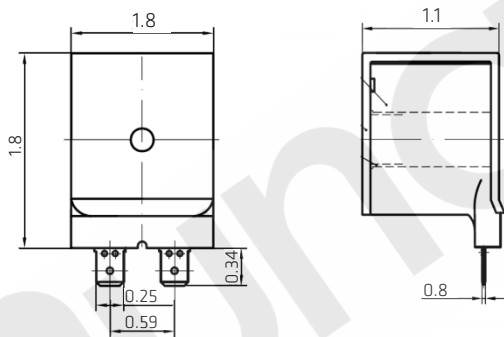
Coils with Lead Wires (SQ-A25 Series)



Bistable Coils (SQ-A/D27 Series)



Coils with Spade Connections (SQ-A/D44 Series)



Wire Harness (SQ-000000-090028)

