

Selection

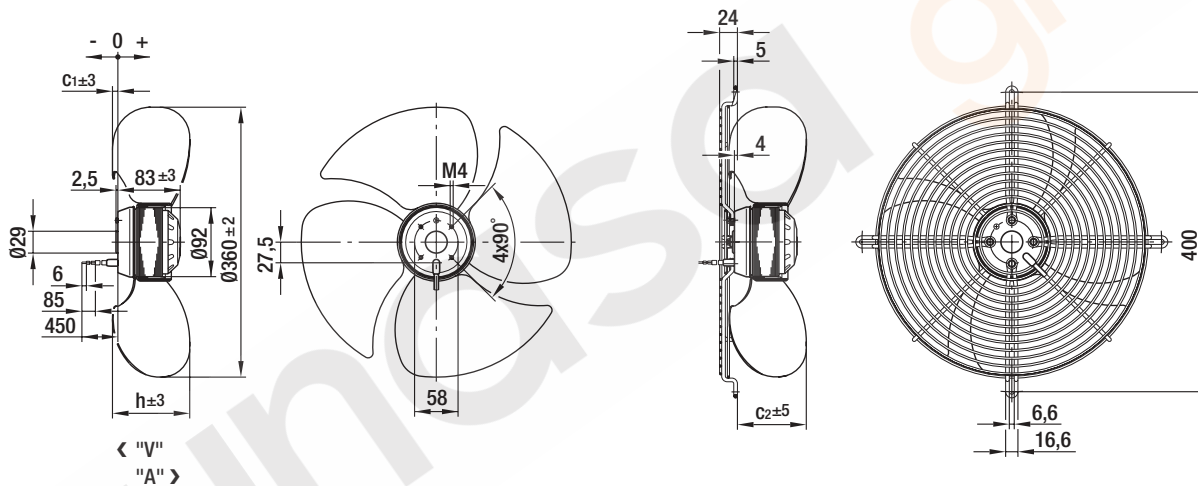
Cable exit

Direction of air flow



Dimensions

Type	S/A/B				c ₁	c ₂	h	l
*4E 360	B	"V"	A4E 360-AC20 -05	S4E 360-EC20 -05	8	88	84	43
		"A"	A4E 360-AC20 -06	---	-8	72	84	43
*6E 360	A	"V"	A6E 360-AA08 -05	S6E 360-EA08 -05	-11	65	103	65
		"A"	A6E 360-AA08 -06	---	-8	38	103	65



Mounting configuration

