

Model: D 2 15.1 Y

Data

Type: Semi-hermetic piston compressors

Producer: Frascold

Series: D

Model: D 2 15.1 Y

Technical data

| | |
|-----------------------------------|---------|
| Nominal motor power [kW/HP]: | 1,5 / 2 |
| Cylinder count: | 2 |
| Displacement [m ³ /h]: | 15,36 |
| RPM [min ⁻¹]: | 1450 |
| Weight net [kg]: | 45 |
| Weight gross [kg]: | 46 |
| Oil charge [dm ³]: | 1,2 |

Electrical data

| | | |
|-----------------------------|-------------|-------------|
| Power supply [V/~/Hz]: | 230V/3/50 Δ | 400V/3/50 Y |
| Locked rotor current [A]: | 62,5 | 35,9 |
| Max. operating current [A]: | 14,6 | 8,4 |

Connections

| | <u>milimeters</u> | <u>inches</u> |
|-----------------|-------------------|---------------|
| Suction line: | 22,2 | 7/8 |
| Discharge line: | 15,8 | 5/8 |

Model: D 2 15.1 Y

Capacity

R22

Cooling capacity [W]

| $t_c \setminus t_e$ | -5 | -10 | -15 | -20 | -25 | -30 | -35 | -40 | -45 |
|---------------------|--------|-------|-------|-------|-------|-------|-------|-------|-------|
| 30 | 10 640 | 8 730 | 7 080 | 5 670 | 4 470 | 3 450 | 2 590 | 1 860 | 1 270 |
| 40 | 9 400 | 7 700 | 6 220 | 4 940 | 3 940 | 2 910 | 2 130 | 1 470 | 930 |
| 45 | 8 780 | 7 190 | 5 790 | 4 570 | 3 530 | 2 650 | 1 900 | 1 280 | 770 |
| 50 | 8 150 | 6 660 | 5 350 | 4 210 | 3 220 | 2 380 | 1 680 | 1 090 | - |

Power input [W]

| $t_c \setminus t_e$ | -10 | -20 | -30 | -40 |
|---------------------|-------|-------|-------|-------|
| 40 | 3 110 | 2 640 | 2 010 | 1 330 |

With head cooling

Operating conditions: suction gas temperature 20°C, 0K subcooling

t_c - Condensing temperature [°C]

t_e - Evaporating temperature [°C]

Model: D 2 15.1 Y

Capacity

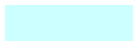
R134a

Cooling capacity [W]

| $t_c \setminus t_e$ | 12.5 | 7.5 | 5 | 0 | -5 | -10 | -15 | -20 |
|---------------------|--------|--------|--------|-------|-------|-------|-------|-------|
| 30 | 13 810 | 11 480 | 10 430 | 8 570 | 6 980 | 5 590 | 4 410 | 3 390 |
| 40 | 12 250 | 10 160 | 9 230 | 7 540 | 6 090 | 4 840 | 3 760 | 2 830 |
| 45 | 11 470 | 9 500 | 8 620 | 7 020 | 5 650 | 4 460 | 3 430 | 2 550 |
| 50 | 10 690 | 8 840 | 8 010 | 6 500 | 5 200 | 4 070 | 3 100 | 2 260 |

Power input [W]

| $t_c \setminus t_e$ | 12.5 | 5 | 0 | -10 |
|---------------------|-------|-------|-------|-------|
| 40 | 2 880 | 2 450 | 2 180 | 1 670 |

 With head cooling

Operating conditions: suction gas temperature 20°C, 0K subcooling

t_c - Condensing temperature [°C]

t_e - Evaporating temperature [°C]

Model: D 2 15.1 Y

Capacity

R404A/R507

Cooling capacity [W]

| $t_c \setminus t_e$ | -5 | -10 | -15 | -20 | -25 | -30 | -35 | -40 | -45 |
|---------------------|--------|-------|-------|-------|-------|-------|-------|-------|-------|
| 30 | 11 540 | 9 510 | 7 750 | 6 220 | 4 920 | 3 810 | 2 890 | 2 130 | 1 520 |
| 40 | 9 670 | 7 960 | 6 480 | 5 200 | 4 100 | 3 180 | 2 410 | 1 760 | 1 230 |
| 45 | 8 790 | 7 230 | 5 880 | 4 720 | 3 730 | 2 890 | 2 190 | 1 590 | 1 100 |
| 50 | 7 945 | 6 530 | 5 310 | 4 270 | 3 370 | 2 620 | 1 970 | 1 430 | - |

Power input [W]

| $t_c \setminus t_e$ | -10 | -20 | -30 | -40 |
|---------------------|-------|-------|-------|-------|
| 40 | 3 620 | 3 070 | 2 440 | 1 770 |

With head cooling

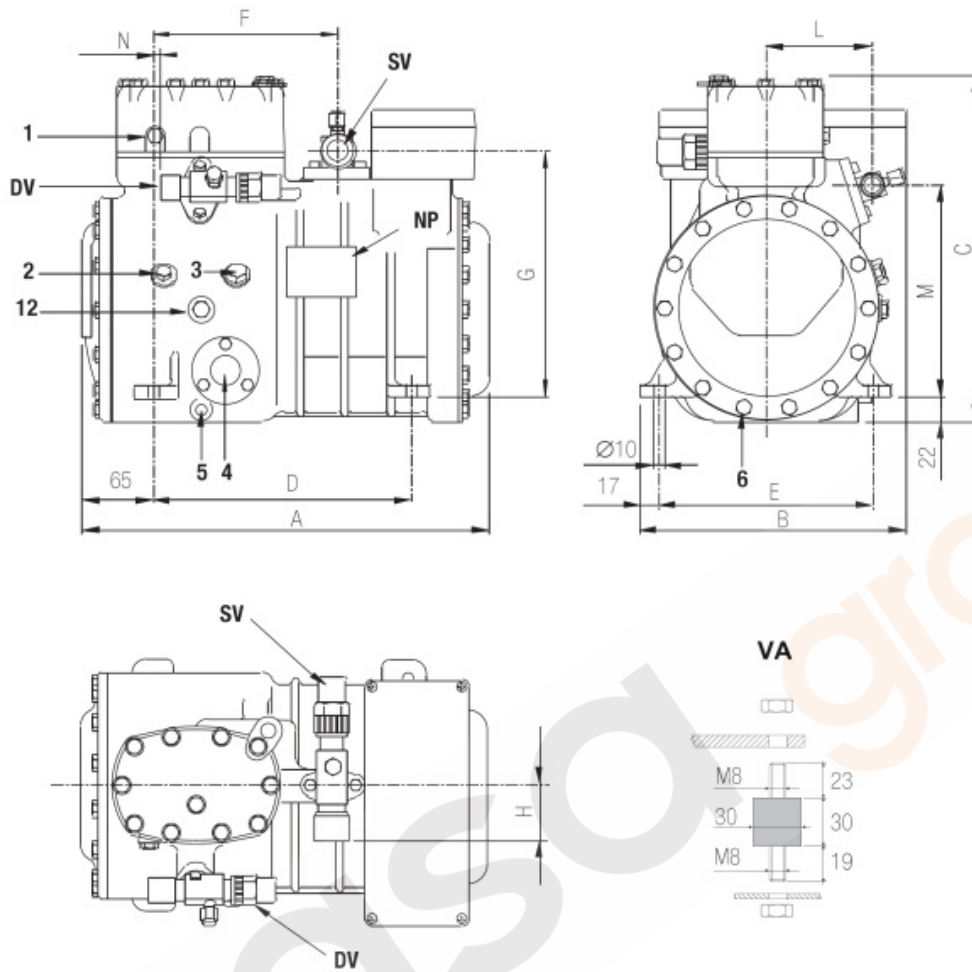
Operating conditions: suction gas temperature 20°C, 0K subcooling

t_c - Condensing temperature [°C]

t_e - Evaporating temperature [°C]

Model: D 2 15.1 Y

Dimensions



| | |
|---|--------|
| A | 369 mm |
| B | 242 mm |
| C | 294 mm |
| D | 234 mm |
| E | 194 mm |
| F | 165 mm |
| G | 220 mm |
| H | 42 mm |
| L | 94 mm |
| M | 192 mm |
| N | 13 mm |

1: high pressure plug
3: oil charge plug
5: crankcase heater seat
12: oil return plug
NP: name plate

2: low pressure plug
4: oil level sight glass
6: oil drain plug
DV: discharge valve
SV: suction valve

Model: D 2 15.1 Y

Image



eundaSa group