

# Parts Bulletin

Document No. GR.1 #44  
Revised September 2005

## RETROFIT INSTRUCTIONS FOR REPLACING .200 DIAMETER GLO-RAY® HEATING ELEMENT WITH A .260 DIAMETER GLO-RAY® HEATING ELEMENT.

### ⚠ WARNING

Electrical power to the unit must be turned off and the unit allowed to cool before performing this procedure.

#### Tools Required

- Tin snips or similar metal cutting tool.

To properly install the .260 diameter sheath heating element in a Hatco foodwarmer that previously used a .200 diameter sheath style, the end cover and heat barrier plate slots must be widened to accommodate the thicker heating element.

1. Widen the opening in the end covers and heating barrier plates by trimming 1/16" (1.6 mm) from one edge on each piece. This can be done with a tin snips or similar metal cutting tool. (See Figures 1 & 2.)
2. File any remaining sharp edges.
3. Install new heating element, making sure there is ample clearance between the heating element sheath, heat barrier and end covers.

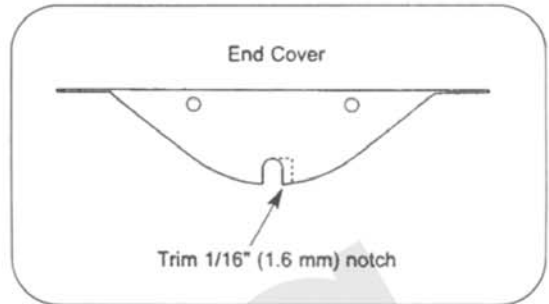


Figure 1. End Cover

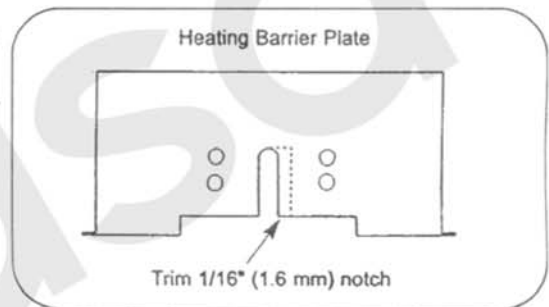


Figure 2. Heating Barrier Plate

## TERMINAL CONNECTIONS INSTALLATION INSTRUCTIONS FOR GLO-RAY® ELEMENTS

- Please note the following when attaching terminal connections:

The ring terminals must be attached to the threaded element flags at right angles to the heating element. (See Figure 3.)

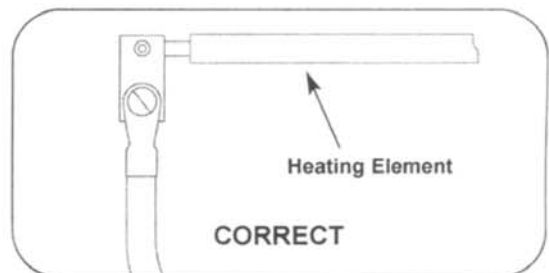


Figure 3.

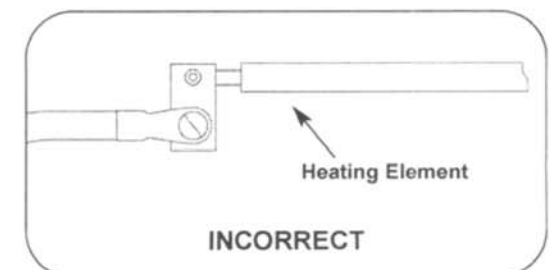


Figure 4.