

Data sheets

For HFC/HFO/HCFC refrigerants > Standard and ECOinside series

Technical data:		
Cylinders		2
Displacement @ 50 Hz	m ³ /h [50Hz]	13.2
Displacement @ 60 Hz	m ³ /h [60Hz]	15.8
Motor version[1]		1
Motor power (HP)		3
Motor power (kW)		2.2
Motor voltage at 50 Hz[2]	V/ph/Hz	220-240V - 380-420V/3/50Hz DOL
Motor voltage at 60 Hz[2]	V/ph/Hz	265-290V - 440-480V/3/60Hz DOL
MRA, maximum operating current at 230V/50Hz and	A	15.3
MRA, maximum operating current at 400V/50Hz and	A	8.8
LRA, maximum starting current at 230V/50Hz and	A	75.9
LRA, max starting current at 400V/50Hz and 460V/60Hz,	A	43.7
Frequency min	Hz	30
Frequency max[3]	Hz	87
Protection device		INT69®
Electric box class protection		IP56
Maximum pressure HP	bar	30
Maximum pressure LP	bar	20.5
Oil type[4]		POE32
Oil charge (3/4 of sight glass)	l	1.1
Lubrication type		Centrifugal
Suction valve (SV)	inch	1 1/8
Discharge valve (DV)	inch	5/8
Net weight	kg	49
Max Length	mm	374
Max Width	mm	242
Max Height	mm	317
Rubber mounts diameter[2]	mm	30
Rubber mounts height	mm	30
Rubber mounts shore	sh	45
Sound power level (-10/45, R404A)[5]	dB(A)	66.5
Sound pressure level @ 1m (-10/45, R404A)[5]	dB(A)	58.5
Compressor body material		Cast Iron

- [1] Motor version: 1 = high and middle temperature, all refrigerants; 2 = low and middle temperature, all refrigerants; 3 = ECOinside, low temperature, only R134a and R1234ze
- [2] Others available on request
- [3] Maximum frequency depends on the working condition: see FSS3 (Frascold selection software)
- [4] Different kind of oil available on request

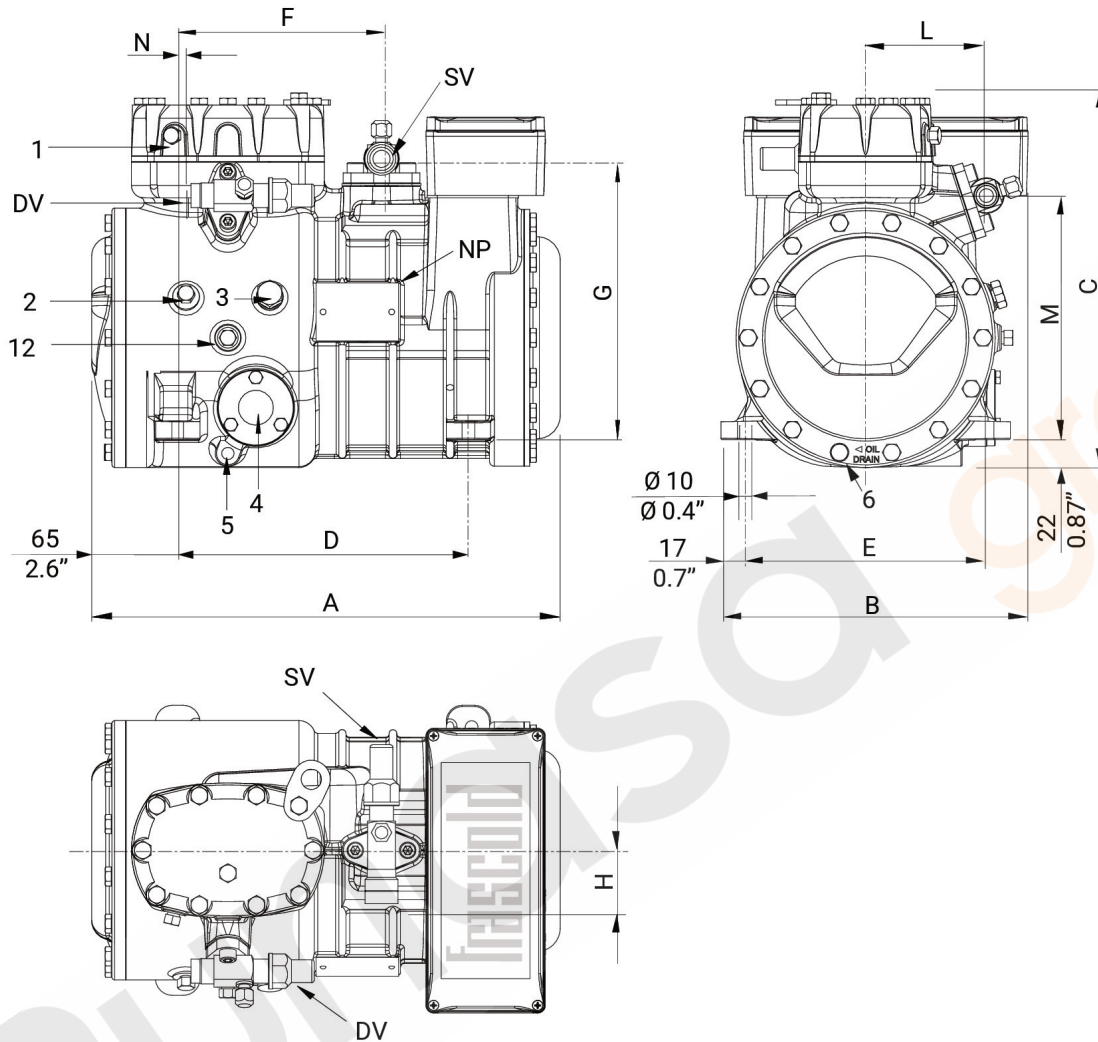
Data sheets

For HFC/HFO/HCFC refrigerants > Standard and ECOinside series

Accessories:	
Water cooled head kit	T00SK50020
Electronic control module - INT 69 Diagnose (230/110V)	T00EC01D-RIC
Oil heater (230V-50W)	T00CH13-RIC
Motor fan for supplementary cooling - 230V/1/50-60HZ	SZ-FM1
Electronic oil regulator	T00EC1900
Kit adapters for oil equalization line - 1" ROT 5/8" ODS	T00SK170200
Kit adapters for oil equalization line - 1"1/4 ROT 1"1/8 ODS	T00SK170300
Capacity control head (RSH) 230V AC	T00SK220330
DP-Modbus Gateway	T00EC59
Connection cable Modbus Gateway - INT69	T00EC64

Data sheets

For HFC/HFO/HCFC refrigerants > Standard and ECOinside series



Dimensional drawing:

SV Suction valve	mm	28.6
DV Discharge valve	mm	15.8
SV Suction valve	inch	1 1/8
DV Discharge valve	inch	5/8
A Length	mm	374
B Width	mm	242
C Height	mm	317
D Base mounting	mm	234
E Base mounting	mm	194
F Suction valve	mm	165
G Suction valve	mm	225
H Suction valve	mm	53
L Discharge valve	mm	94
M Discharge valve	mm	192
N Discharge valve	mm	13
1 High pressure plug		1/8" NPT

2 Low pressure plug	1/8" NPT
3 Oil charge plug	1/4" GAS
4 Oil level sight glass	-
5 Crankcase heater	-
6 Oil drain plug	M8 x 22
12 Oil return plug	1/8" NPT
NP Name Plate	-
DV Discharge valve	
SV Suction valve	