

Model: A 1.5 7 Y

Data

Type: Semi-hermetic piston compressors

Producer: Frascold

Series: A

Model: A 1.5 7 Y

Technical data

| | |
|-----------------------------------|-----------|
| Nominal motor power [kW/HP]: | 1,1 / 1,5 |
| Cylinder count: | 2 |
| Displacement [m ³ /h]: | 6,91 |
| RPM [min ⁻¹]: | 1450 |
| Weight net [kg]: | 36 |
| Weight gross [kg]: | 37 |
| Oil charge [dm ³]: | 1,2 |

Electrical data

| | | |
|-----------------------------|-------------|-------------|
| Power supply [V/~/Hz]: | 230V/3/50 Δ | 400V/3/50 Y |
| Locked rotor current [A]: | 35,8 | 20,6 |
| Max. operating current [A]: | 7,9 | 4,5 |

Connections

| | <u>milimeters</u> | <u>inches</u> |
|-----------------|-------------------|---------------|
| Suction line: | 15,8 | 5/8 |
| Discharge line: | 12,7 | 1/2 |

Model: A 1.5 7 Y

Capacity


R22

Cooling capacity [W]

| $t_c \setminus t_e$ | 12.5 | 7.5 | 5 | 0 | -5 | -10 | -15 | -20 | -25 | -30 | -35 |
|---------------------|-------|-------|-------|-------|-------|-------|-------|-------|-------|-------|-------|
| 30 | 9 060 | 7 580 | 6 920 | 5 740 | 4 730 | 3 860 | 3 100 | 2 450 | 1 910 | 1 460 | 1 090 |
| 40 | 8 110 | 6 780 | 6 190 | 5 120 | 4 210 | 3 420 | 2 730 | 2 150 | 1 670 | 1 260 | 920 |
| 45 | 7 630 | 6 380 | 5 820 | 4 820 | 3 950 | 3 210 | 2 560 | 2 010 | 1 540 | 1 160 | 840 |
| 50 | 7 160 | 5 980 | 5 450 | 4 510 | 3 690 | 2 990 | 2 380 | 1 860 | 1 420 | 1 060 | 760 |

Power input [W]

| $t_c \setminus t_e$ | 5 | -10 | -20 | -30 |
|---------------------|-------|-------|-------|-----|
| 40 | 1 430 | 1 270 | 1 120 | 810 |

 With head cooling

Operating conditions: suction gas temperature 20°C, 0K subcooling

t_c - Condensing temperature [°C]

t_e - Evaporating temperature [°C]

Model: A 1.5 7 Y

Capacity

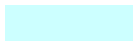
R134a

Cooling capacity [W]

| $t_c \setminus t_e$ | 12.5 | 7.5 | 5 | 0 | -5 | -10 | -15 | -20 |
|---------------------|-------|-------|-------|-------|-------|-------|-------|-------|
| 50 | 4 880 | 4 030 | 3 650 | 2 970 | 2 380 | 1 880 | 1 440 | 1 070 |
| 60 | 4 190 | 3 450 | 3 120 | 2 520 | 2 000 | 1 550 | 1 170 | 840 |
| 70 | 3 490 | 2 860 | 2 580 | 2 060 | 1 610 | 1 220 | 890 | 610 |
| 80 | 2 780 | 2 260 | 2 030 | 1 600 | 1 230 | 900 | 630 | 390 |

Power input [W]

| $t_c \setminus t_e$ | 12.5 | 5 | 0 | -10 |
|---------------------|-------|-------|-------|-----|
| 60 | 1 400 | 1 200 | 1 080 | 840 |

 With head cooling

Operating conditions: suction gas temperature 20°C, 0K subcooling

t_c - Condensing temperature [°C]

t_e - Evaporating temperature [°C]

Model: A 1.5 7 Y

Capacity

R404A/R507

Cooling capacity [W]

| $t_c \setminus t_e$ | 7.5 | 5 | 0 | -5 | -10 | -15 | -20 | -25 | -30 | -35 | -40 |
|---------------------|-------|-------|-------|-------|-------|-------|-------|-------|-------|-------|-----|
| 30 | 8 370 | 7 670 | 6 420 | 5 330 | 4 400 | 3 590 | 2 880 | 2 280 | 1 760 | 1 320 | 940 |
| 40 | 7 170 | 6 580 | 5 500 | 4 560 | 3 740 | 3 030 | 2 410 | 1 880 | 1 420 | 1 030 | 700 |
| 45 | 6 560 | 6 020 | 5 030 | 4 160 | 3 410 | 2 750 | 2 180 | 1 680 | 1 250 | 890 | 580 |
| 50 | 5 940 | 5 450 | 4 560 | 3 770 | 3 080 | 2 470 | 1 940 | 1 480 | 1 090 | 750 | 460 |

Power input [W]

| $t_c \setminus t_e$ | 5 | -10 | -20 | -30 | -40 |
|---------------------|-------|-------|-------|-----|-----|
| 40 | 1 830 | 1 490 | 1 210 | 940 | 670 |

With head cooling

Operating conditions: suction gas temperature 20°C, 0K subcooling

t_c - Condensing temperature [°C]

t_e - Evaporating temperature [°C]

Model: A 1.5 7 Y

Capacity

R407C

Cooling capacity [W]

| $t_c \setminus t_e$ | 12.5 | 7.5 | 5 | 0 | -5 | -10 | -15 | -20 | -25 |
|---------------------|-------|-------|-------|-------|-------|-------|-------|-------|-------|
| 30 | 9 180 | 7 660 | 6 970 | 5 730 | 4 670 | 3 760 | 2 980 | 2 330 | 1 780 |
| 40 | 8 090 | 6 710 | 6 100 | 5 010 | 4 070 | 3 260 | 2 570 | 1 990 | 1 490 |
| 45 | 7 540 | 6 250 | 5 680 | 4 650 | 3 770 | 3 010 | 2 360 | 1 800 | 1 330 |
| 50 | 6 970 | 5 780 | 5 250 | 4 290 | 3 460 | 2 750 | 2 130 | 1 610 | 1 170 |

Power input [W]

| $t_c \setminus t_e$ | 7.5 | 0 | -10 | -20 |
|---------------------|-------|-------|-------|-------|
| 40 | 1 710 | 1 560 | 1 310 | 1 080 |

With head cooling

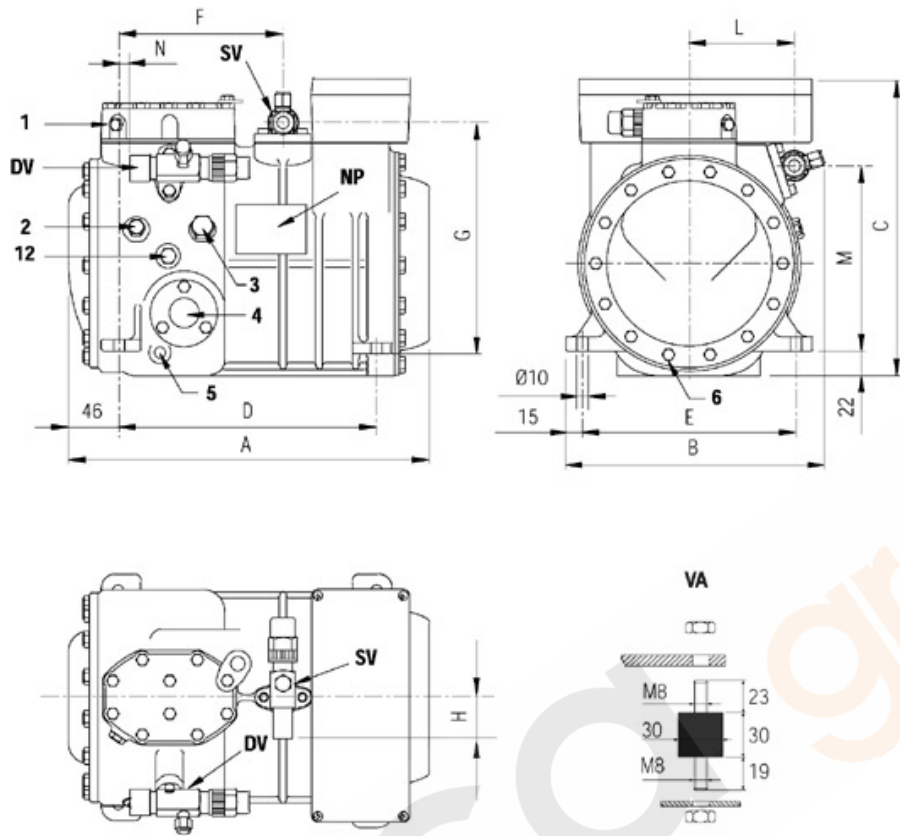
Operating conditions: suction gas temperature 20°C, 0K subcooling

t_c - Condensing temperature [°C]

t_e - Evaporating temperature [°C]

Model: A 1.5 7 Y

Dimensions



| | |
|---|--------|
| A | 313 mm |
| B | 237 mm |
| C | 275 mm |
| D | 234 mm |
| E | 194 mm |
| F | 150 mm |
| G | 209 mm |
| H | 29 mm |
| L | 95 mm |
| M | 168 mm |
| N | 18 mm |

1: high pressure plug
3: oil charge plug
5: crankcase heater seat
12: oil return plug
NP: name plate

2: low pressure plug
4: oil level sight glass
6: oil drain plug
DV: discharge valve
SV: suction valve

Model: A 1.5 7 Y

Image



eundaSa group