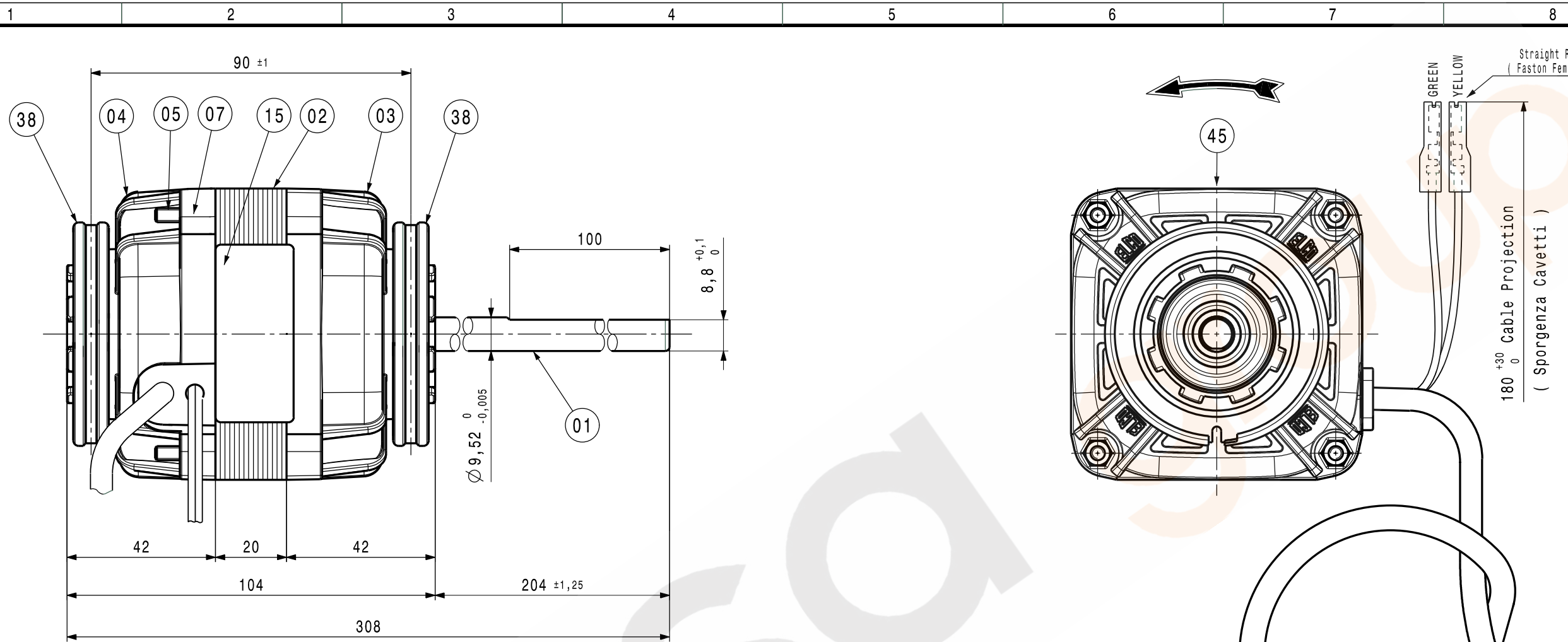
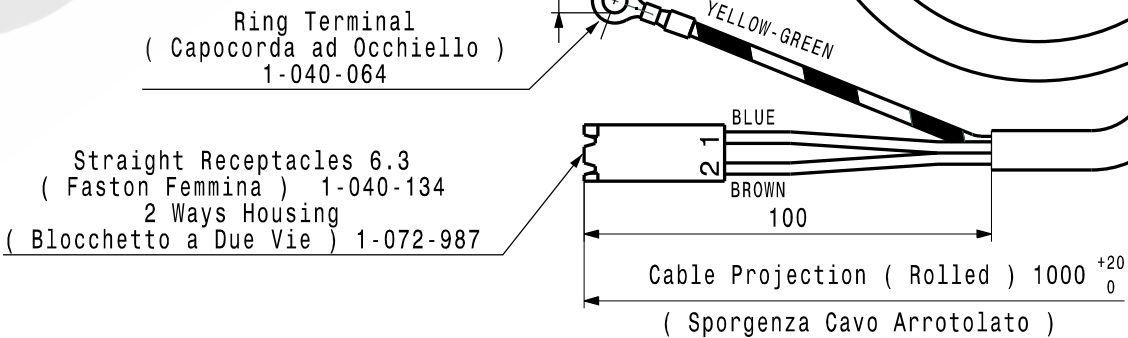


DRAWING MADE BY
CAD
HAND MADE MODIFICATIONS ARE FORBIDDEN



Caution :
In application to assemble with :
(In applicazione assemblare con :)
N°1 SUPPORT COD.1-045-1000
N°2 SPRING COD.1-050-086



| | |
|---|-------------------|
| CLASS "B" MOTOR - SLEEVE BEARING MANUFACTURED (Motore in Classe "B" - Esecuzione a Bronzine) | |
| AXIAL CLEARANCE (Gioco Assiale) | 0,5 - 2,5 mm |
| COVER - CABLE SIDE (Coperchio Lato Cavi) | CLOSED (Chiuso) |
| COVER - OPPOSITE CABLE SIDE (Lato Opposto Cavi) | CLOSED (Chiuso) |
| ASSEMBLY SPECIFICATION (Normativa Note di Montaggio) | EL.UN.0002 |
| MECHANICAL SPECIFICATION (Normativa di Controllo Meccanico) | EL.CM.0001 |
| ELECTRICAL SPECIFICATION (Controllo Elettrico con Prescrizione N°) | M.2030/1 |

CODE: BTNM41TB0234
TYPE: 1BT 16-20-1V NA
230/240V- 50/60Hz TH.PROT. INS.CL.B
C=1,5µF 450VL 16/60W 0,27A 1100Rpm
C=2µF 450VL 20/70W 0,31A 1100Rpm
← ROTATION →

| | |
|--------------|------|
| BLUE | LINE |
| BROWN | LINE |
| YELLOW | LINE |
| GREEN | LINE |
| YELLOW/GREEN | LINE |

CE



| | | | | |
|---------------------------|------------|--|--------------------|---------|
| Rel | Date | Description | Executor signature | Checked |
| A | 15-10-2010 | CORRETTO DESCRIZIONI IN TARGHETTA (µ DIVENTA µF) (0,31W DIVENTA 0,31A) | Pedriani R. | Sirtori |
| M O D I F I C A T I O N S | | | | |

| | | |
|---|--|---|
| For dim. without tolerance see standard UNI EN 22768-mK | Treatment | A3 |
| Material | | |
| ELCO logo | Drawn Pedriani R. Date 24-02-2009 Check T.Sirtori Scale --- | SINGLE PHASE MOTOR (Motore Monofase) 230/240V - 50/60Hz 1BT 16-20-1V NA |
| | Weight | Release A |
| | Ref.No | BTNM41TB0234 |