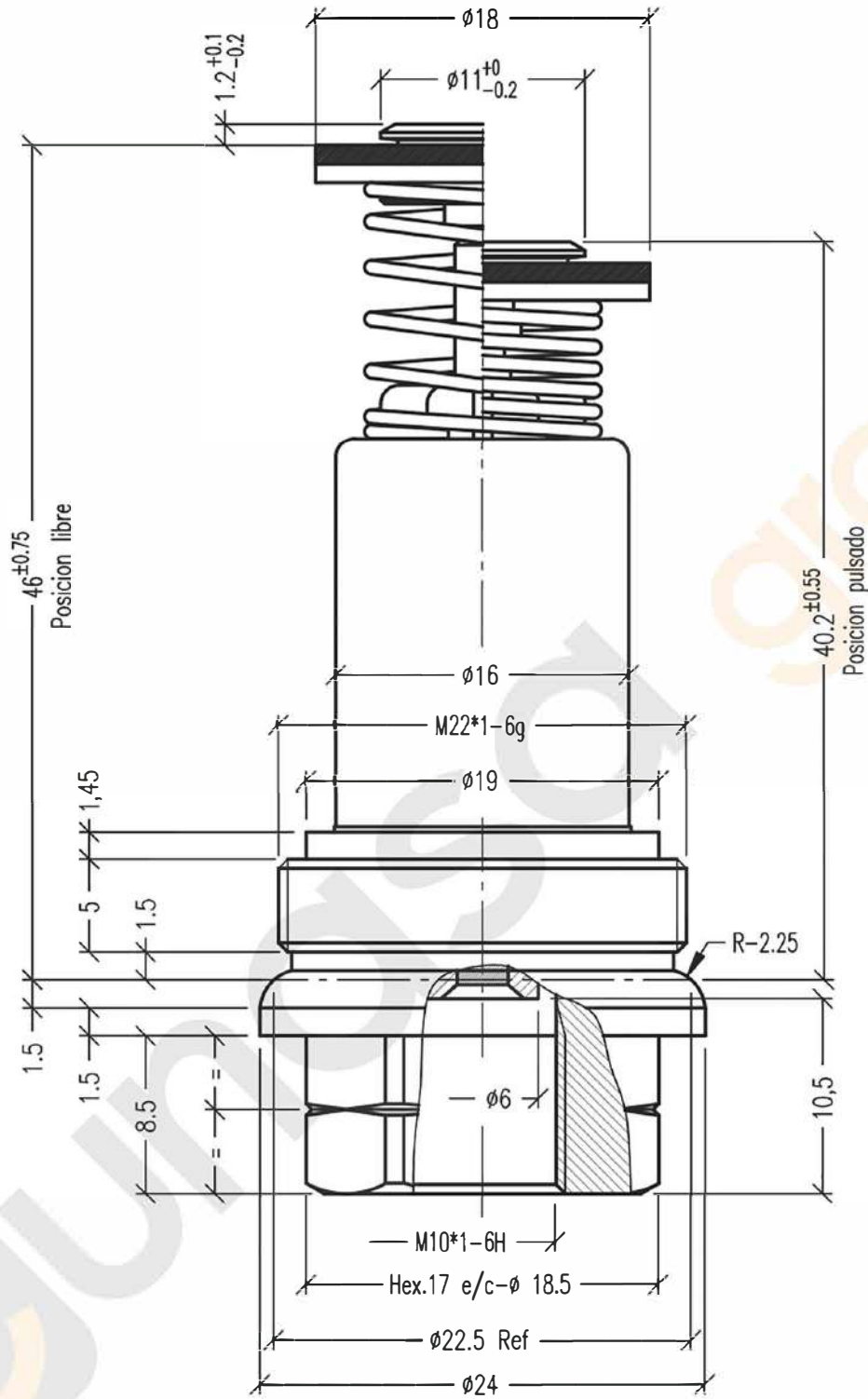


Intensidad enganche ≤ 220 mA
 Intensidad desenganche ≥ 50 mA
 Resistencia electrica 16.5 ± 1.5 mOhm

Junta de valvula SILICONA F-9614
 Junta torica VITON F-2834



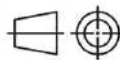
1997/11/19

DATE:
-FECHA-

SIZE:
-FORMATO-
A4

SCALE:
-ESCALA-
1:1

UNITS:
-UNIDADES-
(mm)



NAME -DENOMINACIÓN-

MATERIAL -MATERIAL-

DATE-FECHA

UPDATE -MODIFICACIÓN-

TOLERANCES ACCORDING TO ISO 2768-2:1989 [mK] - TOLERANCIAS SEGÚN ISO 2768-2:1989 [mK]

	Permissible deviations respect to the nominal value in mm					
	>=0.5, <=3	>3, <=6	>6, <=30	>30, <=120	>120, <=400	>400, <=1000
For linear dimensions	±0.1	±0.1	±0.2	±0.3	±0.5	±0.8
For outer radius and chamfers	±0.2	±0.5			±1	

For nominal values < 0.5 mm the tolerance will be indicated next to the correspondent annotation

	Permissible deviations according to the length in mm of the shortest side of the angle				
	<=10	>10, <=50	>50, <=120	>120, <=400	>400
For angular dimensions	±1°	±0°30'	±0°20'	±0°10'	±0°5'

PROJECT-PROYECTO

Diametro de 19 a 18.5 en hexag. 17 e/c

DRAWING - DIBUJO

REV
-REVISION-
2