

HOLDING CURRENT ≤ 180 mA.

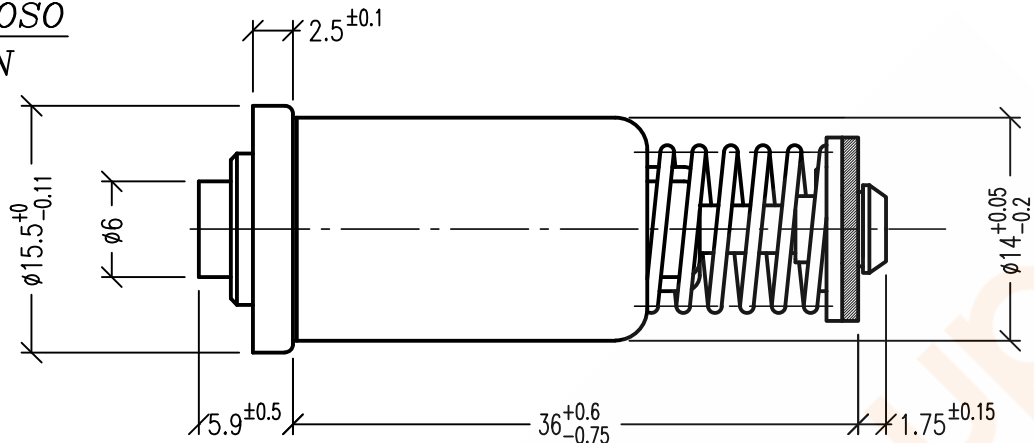
DROP OUT CURRENT ≥ 60 mA.

Seal Silicone

O-ring Viton

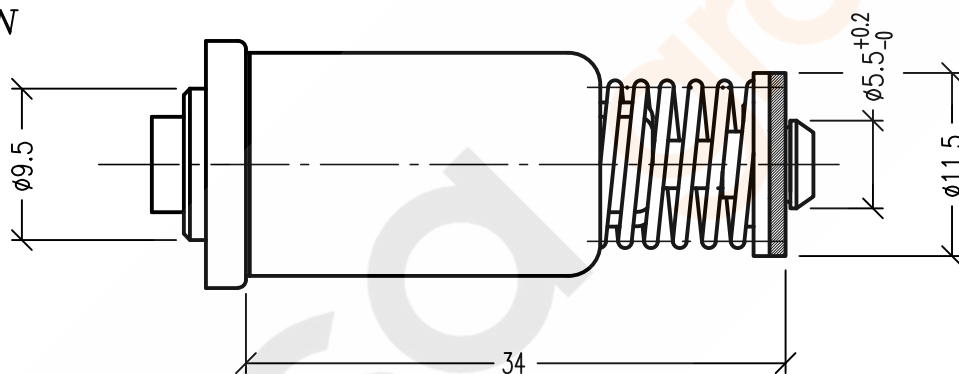
POSICION REPOSO

FREE POSITION



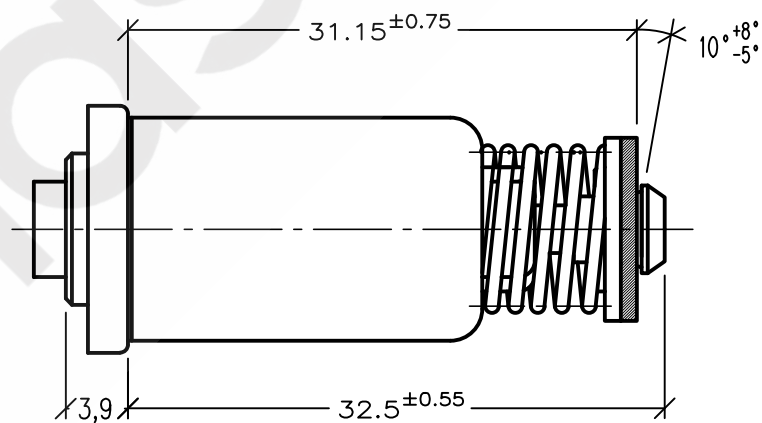
POSICION CERRADO

CLOSED POSITION



POSICION ENGANCHE

ENGAGED POSITION



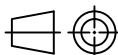
90/12/7

DATE:
-FECHA-

SIZE:
-FORMATO-
A4

SCALE:
-ESCALA-
1:1

UNITS:
-UNIDADES-
(mm)



GRUPOS ELECTROMAGNETICOS

NAME -DENOMINACIÓN-

MATERIAL -MATERIAL-

DATE-FECHA

2016/07/30

PROJECT-PROYECTO

DRAWING - DIBUJO

UPDATE -MODIFICACIÓN-

Cambio de cajetin y traducción al Ingles

TOLERANCES ACCORDING TO ISO 2768-2:1989 [mK] - TOLERANCIAS SEGÚN ISO 2768-2:1989 [mK]

Permissible deviations respect to the nominal value in mm

	$\pm 0.5, <= 3$	$\pm 3, <= 6$	$\pm 6, <= 30$	$\pm 30, <= 120$	$\pm 120, <= 400$	$\pm 400, <= 1000$
For linear dimensions	± 0.1	± 0.1	± 0.2	± 0.3	± 0.5	± 0.8
For outer radius and chamfers	± 0.2	± 0.5				± 1

For nominal values < 0.5 mm the tolerance will be indicated next to the correspondent annotation

Permissible deviations according to the length in mm of the shortest side of the angle

	≤ 10	$> 10, \leq 50$	$> 50, \leq 120$	$> 120, \leq 400$	> 400
For angular dimensions	$\pm 1^\circ$	$\pm 0^\circ 30'$	$\pm 0^\circ 20'$	$\pm 0^\circ 10'$	$\pm 0^\circ 5'$

REV
-REVISION-
2